

PROJECT :
TYPE :
ORDERING # :
COMMENTS :

NIKE S LED

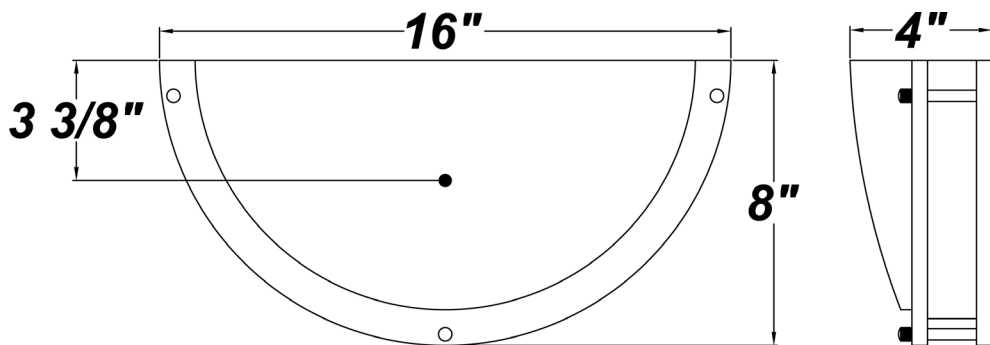
FEATURES

DIMMING FEATURES



- Die-Form Cold-Rolled Steel Housing w/ Brushed Nickel Plated Finish
- Steel Trim w/ Brushed Nickel Plated Finish
- Steel Mounting Pan w/ Hi-Reflectance White Powder Coat Finish
- Luminous White Acrylic Diffuser
- Lamps Included
- Mounts Directly to 4" Junction Box (By Others)
- Mounting Hardware Included
- ADA Compliant
- Dry Location

- Dimmable to <5%
- Dimmable With Either Triac or Electronic Dimmers
- Over-Current, Over-Voltage, and Short Circuit Protection
- Constant Current at 350 Milliamps
- UL Class 2 Driver - Power Factor >.90
- Estimated 50,000 Hours Life (L70)



ORDERING INFORMATION

Example : (NES - L10.5 - 120V - BT - 30K)

Brushed Nickel is Standard Finish

PRODUCT	SOURCE/WATTAGE	VOLTAGE	DIFFUSER	FINISH	OPTIONS
Nike S	L10.5 - (40) LED Array	120V - 120V 277V - 277V (50 / 60Hz)	White Acrylic	BN - Brushed Nickel SM - Matte Silver TB - Textured Black AC - Antique Copper AS - Antique Silver BT - Bronze Mist CP - Copper KC - Kenworth Chrome SN - Sand SW - Swedish Steel BZ - Textured Bronze TW - Textured White RAL Colors or Custom Match - Consult Factory	27K - 10.5W Has 568 Fixture Lumens 30K - 10.5W Has 608 Fixture Lumens 40K - 10.5W Has 653 Fixture Lumens See Page 2 For Wattage Specifications

NOTES

We reserve the right to revise the design or components of any product due to parts availability or change in UL standards, without assuming any obligation or liability to modify any products previously manufactured, and without notice.

REPLACEMENT PARTS

PART NO.

White Acrylic Diffuser

3049860

ARRA 2009



BUY AMERICA ACT



PROJECT :
TYPE :
ORDERING # :
COMMENTS :

PRODUCT	SOURCE/WATTAGE	27K SPECIFICATIONS	30K SPECIFICATIONS	40K SPECIFICATIONS
Nike S LED	L10.5 - (40) LED Array - Constant Current @350mA -13.1 Input Watts 50,000 Hours(L70)	10.5W LED ARRAY 27K - 2700K Color Temp. - 80 CRI Typ. - 1082 LED Lumens (562 Fixture Lumens) - Estimated 54 Lumens Per Watt	10.5W LED ARRAY 30K - 3000K Color Temp. - 80 CRI Typ. - 1158 LED Lumens (608 Fixture Lumens) - Estimated 58 Lumens Per Watt	10.5W LED ARRAY 40K - 4000K Color Temp. - 80 CRI Typ. - 1244 LED Lumens (653 Fixture Lumens) - Estimated 62 Lumens Per Watt

ARRA 2009



BUY AMERICA ACT Compliant