

LANDMARK S LED



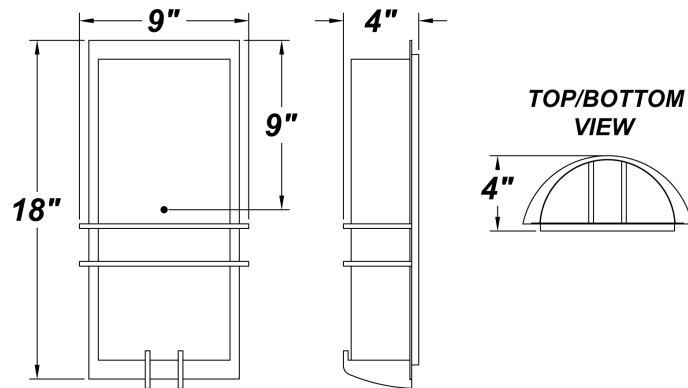
PROJECT :
TYPE :
ORDERING # :
COMMENTS :

FEATURES

- Steel Trim Accents w/ Matte Silver Powder Coat Finish
- White Acrylic Diffuser
- Aluminum Mounting Pan
- Aluminum Reflector
- Open Top & Bottom
- Mounts Directly to 4" Junction Box (By Others)
- Mounting Hardware Included
- ADA Compliant
- CSA Listed Dry Location For Wall Mounting
- Awaiting IES Files, DLC, Lighting Facts, And Title 24 Labeling / Certification

DIMMING FEATURES

- Dimmable to <5%
- Dimmable With Either Triac or Electronic Dimmers
- Over-Current, Over-Voltage, and Short Circuit Protection
- Constant Current at 350 Milliamps
- UL Class 2 Driver - Power Factor >.90
- Estimated 50,000 Hours Life (L70)



ORDERING INFORMATION

Example : (LNDS - L25.0 - 277V - WAL - BT - 30K)

Matte Silver is Standard Finish

PRODUCT	SOURCE/WATTAGE	VOLTAGE	DIFFUSER	FINISH	OPTIONS
LNDS					
Landmark S	L25.0 - (2) 12.5W (40) LED Modules	120V - 120V 277V - 277V (50 / 60Hz)	WAL - White Acrylic	SM - Matte Silver TB - Textured Black AC - Antique Copper AS - Antique Silver BT - Bronze Mist CP - Copper KC - Kenworth Chrome SN - Sand SW - Swedish Steel BZ - Textured Bronze TW - Textured White RAL Colors or Custom Match - Consult Factory	30K - 3000K Color Temp. Has 1500 Fixture Lumens 25W Input = 60 Fixture Lumens Per Watt 35K - 3500K Color Temp. Has 1545 Fixture Lumens 25W Input = 61.8 Fixture Lumens Per Watt 40K - 4000K Color Temp. Has 1575 Fixture Lumens 25W Input = 63 Fixture Lumens Per Watt F - Fused

REPLACEMENT PARTS

PART NO.

White Acrylic Diffuser

3027860

NOTES

We reserve the right to revise the design or components of any product due to parts availability or change in UL standards, without assuming any obligation or liability to modify any products previously manufactured, and without notice.

