

PROJECT :
TYPE :
ORDERING # :
COMMENTS :

DORAL ADA LED

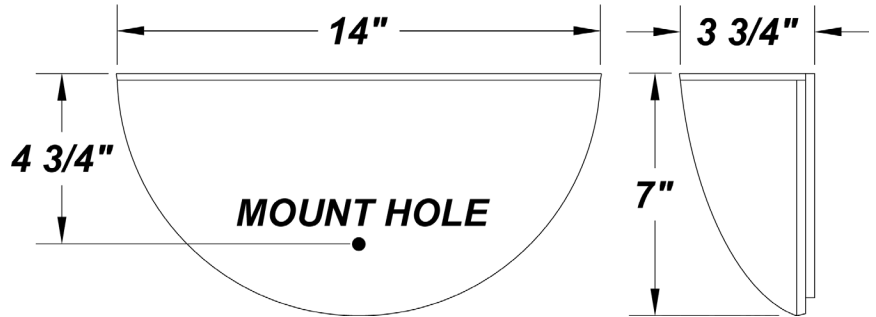
FEATURES

DIMMING FEATURES



- Luminous White Acrylic Diffuser w/ Brass Plated Vinyl Trim
- Steel Mounting Pan w/ Hi-Reflectance White Powder Coat Finish
- Mounts Directly to 4" Junction Box (By Others)
- Mounting Hardware Included
- 120V Drivers Are Dimmable
- 277V Drivers Are Not Dimmable
- CSA Listed Dry Location For Wall Mount
- ADA Compliant
- Awaiting IES Files, DLC, Lighting Facts, And Title 24 Labeling / Certification

- Dimmable to <5%
- Dimmable With Either Triac or Electronic Dimmers
- Over-Current, Over-Voltage, and Short Circuit Protection
- Constant Current at 350 Milliamps
- UL Class 2 Driver - Power Factor >.90
- Estimated 50,000 Hours Life (L70)



ORDERING INFORMATION

Example : (DLA - L12.5 - 277V - CHB - 40K) Brass Trim is Standard Finish

DLA					
-----	--	--	--	--	--

PRODUCT	SOURCE/WATTAGE	VOLTAGE	DIFFUSER	FINISH	OPTIONS
Doral ADA LED	L12.5 - (40) LED Array	120V - 120V 277V - 277V (50 / 60Hz)	Not Applicable	PBB - Brass Trim (Standard) CHB - Chrome Trim WHB - White Trim	<p>27K - 2700K Color Temperature (713 Total Fixture Lumens = 57 Lumens Per Watt)</p> <p>30K - 3000K Color Temperature (743 Total Fixture Lumens = 59.4 Lumens Per Watt)</p> <p>35K - 3500K Color Temperature (765 Total Fixture Lumens = 61.2 Lumens Per Watt)</p> <p>40K - 4000K Color Temperature (780 Total Fixture Lumens = 62.4 Lumens Per Watt)</p> <p>F - Fused</p>

REPLACEMENT PARTS	PART NO.
White Acrylic Lens w/ Brass Trim	3026865
White Acrylic Lens w/ Chrome Trim	3026866
White Acrylic Lens w/ White Trim	3026860

NOTES

We reserve the right to revise the design or components of any product due to parts availability or change in UL standards, without assuming any obligation or liability to modify any products previously manufactured, and without notice.