

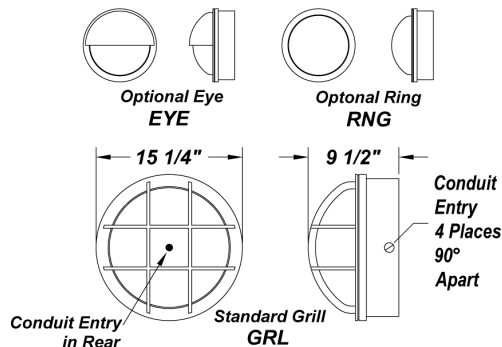
**ASHWORTH LED**



PROJECT :
TYPE :
ORDERING # :
COMMENTS :

**FEATURES**

- 380 Grade Die-Cast Aluminum Housing w/ Textured Black Polyester Powder Coat Finish
- Die-Cast Aluminum Grill (Standard) w/ Textured Black Polyester Powder Coat Finish
- Clear Prismatic Ribbed Molded Borosilicate Glass Lens
- Fully Silicone Gasketed Channel
- Stainless Steel Zinc Coated Screws
- Cast-In Template
- Mounts Direct to Flat Surface w/Four #8 Wall Anchors (Not Included)
- Thermal Compensation Technology Ensures Longer LED Lifetime, Which is Ideal For Fixtures Being Placed in Area With Fluctuating or Higher Ambient Temperatures
- 100V - 277V
- One 40W LED Driver
- Surge Protector
- CSA Listed Wet Location For Wall or Ceiling Mount
- IES Files Available



**ORDERING INFORMATION**

Example : (AH - L33.6 - 100-277V- EYE - TB - 30K - PCL120

Textured Black is Standard Finish

PRODUCT	SOURCE/WATTAGE	VOLTAGE	FASCIA	FINISH	OPTIONS
Ashworth	L33.6 - (8) 4.2W LED Strips  4.2W LED Strips - (LM80 Standard) **40,000 Hours( L70)	100 - 277V	GRL - Ashworth Grill (Standard) EYE - Ashworth Eye RNG - Ashworth Ring	SM - Matte Silver TB - Textured Black AC - Antique Copper AS - Antique Silver BT - Bronze Mist CP - Copper SN - Sand SW - Swedish Steel BZ - Textured Bronze TW - Textured White  RAL Colors or Custom Match - Consult Factory	30K - 3000K Color Temp. Has 2000 Fixture Lumens 39W Input = Estimated 51.3 Lumens Per Watt 40K - 4000K Color Temp. Has 2055 Fixture Lumens 39W Input = Estimated 52.7 Lumens Per Watt 51K - 5100K Color Temp. Has 2160 Fixture Lumens 39W Input = Estimated 55.4 Lumens Per Watt TP - Tamper Resistant Screws PCL120 - Photocell 120V PCL277 - Photocell 277V F - Fused EB - Bodine BSL26 - Up to 5.1W Emergency Illumination With LEDs  - Wall Mount Only - AC Mode 960 Lumens - Battery @ 1 second = 322 Total Lumens - Battery @ 90 Minutes = 291 Total Lumens (Please Specify Voltage)

**REPLACEMENT PARTS**

**PART NO.**

Clear Prismatic Glass Lens	37042
GRL Fascia	5505599
EYE Fascia	5506599
RNG Fascia	5510999
(Please Specify Color of Fascia When Ordering)	

**NOTES**

\*\*Definition of 40,000 hours: Lifetime Rating is Based on Lamp Manufacturers' LM80 Test Results Which Utilized an Exponentially Decaying Model, a Standard Used by The Department of Energy, as Well as by Other Manufacturers.

**ARRA 2009**



**BUY AMERICA ACT**



We reserve the right to revise the design or components of any product due to parts availability or change in UL standards, without assuming any obligation or liability to modify any products previously manufactured, and without notice.