

PROJECT :
TYPE :
ORDERING # :
COMMENTS :

MEDALLION C LED

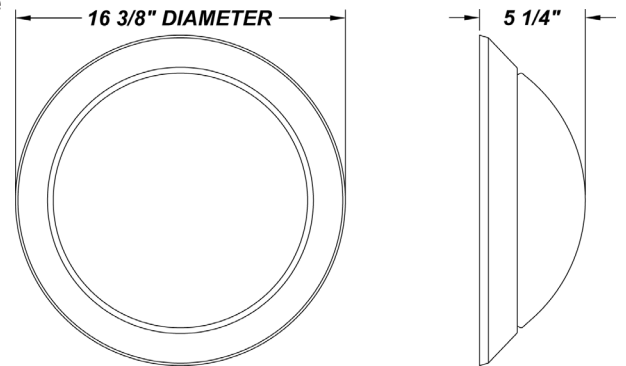


FEATURES

- Steel Trim w/ Textured White Polyester Powder Coat Finish
- Twist-Lock White Glass Diffuser
- Steel Mounting Pan w/ Hi-Reflectance White Powder Coat Finish
- Mounts Directly to 4" Junction Box (By Others) J-Box Centered in Fixture
- Mounting Hardware Included
- CSA Listed Damp Location
- 120V Drivers Are Dimmable
- 277V Drivers Are Not Dimmable
- Awaiting IES Files, DLC, Lighting Facts, And Title 24 Labeling / Certification

DIMMING FEATURES

- Dimmable to <5%
- Dimmable With Either Triac or Electronic Dimmers
- Over-Current, Over-Voltage, and Short Circuit Protection
- Constant Current at 350 Milliamps
- UL Class 2 Driver - Power Factor >.90
- Estimated 50,000 Hours Life (L70)



ORDERING INFORMATION

Example : (MEDC - L25.0 - 120V - SM - 30K) Textured White is Standard Finish

PRODUCT	SOURCE/WATTAGE	VOLTAGE	DIFFUSER	FINISH	OPTIONS
Medallion C	L12.5 - 12.5W (36) LED Array L25.0 - 25.0W (72) LED Array 50,000 Hours(L70)	120V - 120V 277V - 277V (50 / 60Hz) Please See "Options" Column For Driver Specifications	Not Applicable	BN - Brushed Nickel Plate SM - Matte Silver TB - Textured Black AC - Antique Copper AS - Antique Silver BT - Bronze Mist CP - Copper KC - Kenworth Chrome SN - Sand SW - Swedish Steel BZ - Textured Bronze TW - Textured White RAL Colors or Custom Match - Consult Factory	27K - 12.5W Has 713 Fixture Lumens 30K - 12.5W Has 743 Fixture Lumens 35K - 12.5W Has 766 Fixture Lumens 40K - 12.5W Has 772 Fixture Lumens 27K - 25.0W Has 1432 Fixture Lumens 30K - 25.0W Has 1492 Fixture Lumens 35K - 25.0W Has 1539 Fixture Lumens 40K - 25.0W Has 1572 Fixture Lumens F - Fused See Page 2 For Wattage Specifications

REPLACEMENT PARTS PART NO.

White Glass Diffuser	3701360
----------------------	---------

NOTES

We reserve the right to revise the design or components of any product due to parts availability or change in UL standards, without assuming any obligation or liability to modify any products previously manufactured, and without notice.





PROJECT :
TYPE :
ORDERING # :
COMMENTS :

Please Note: All Lumen Information is For Estimation / Specification Purposes Only.
Once Proper Certifications Are Received, The Data Will be Updated Accordingly.

PRODUCT	SOURCE/WATTAGE	27K SPECIFICATIONS	30K SPECIFICATIONS	35K SPECIFICATIONS	40K SPECIFICATIONS
Medallion C	L12.5 - (36) LED Array - Constant Current @350mA - 12.5 Input Watts 50,000 Hours(L70)	12.5W LED ARRAY 27K - 2700K Color Temp. - 80 CRI Typ. - 1046 LED Lumens (713 Fixture Lumens) - Estimated 57 Lumens Per Watt	12.5W LED ARRAY 30K - 3000K Color Temp. - 80 CRI Typ. - 1090 LED Lumens (743 Fixture Lumens) - Estimated 59 Lumens Per Watt	12.5W LED ARRAY 35K - 3500K Color Temp. - 80 CRI Typ. - 1124 LED Lumens (766 Fixture Lumens) - Estimated 61 Lumens Per Watt	12.5W LED ARRAY 40K - 4000K Color Temp. - 80 CRI Typ. - 1133 LED Lumens (772 Fixture Lumens) - Estimated 62 Lumens Per Watt
	L25.0 - (72) LED Array - Constant Current @350mA - 25.0 Input Watts 50,000 Hours(L70)	25.0W LED ARRAY 27K - 2700K Color Temp. - 80 CRI Typ. - 2078 LED Lumens (1432 Fixture Lumens) - Estimated 57 Lumens Per Watt	25.0W LED ARRAY 30K - 3000K Color Temp. - 80 CRI Typ. - 2165 LED Lumens (1492 Fixture Lumens) - Estimated 60 Lumens Per Watt	25.0W LED ARRAY 35K - 3500K Color Temp. - 80 CRI Typ. - 2233 LED Lumens (1539 Fixture Lumens) - Estimated 62 Lumens Per Watt	25.0W LED ARRAY 40K - 4000K Color Temp. - 80 CRI Typ. - 2250 LED Lumens (1572 Fixture Lumens) - Estimated 63 Lumens Per Watt

ARRA 2009



BUY AMERICA ACT C US