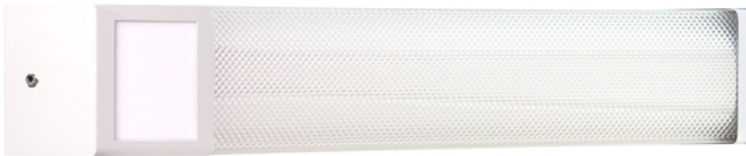


| |
|--------------|
| PROJECT : |
| TYPE : |
| ORDERING # : |
| COMMENTS : |

OASIS LED



Shown with MSE



SHOWN WITH "MSI" OPTION

FEATURES

- Steel Mounting Pan w/ Hi-Reflectance White Powder Coat Finish
- Aluminum Reflector w/ Hi-Reflectance White Powder Coat Finish
- Steel End Caps w/ White Powder Coat Finish
- Clear Acrylic Lens w/ Ribbed Sides and Prismatic Front
- Mounts Directly to Wall or Ceiling w/ Two Wall Anchors (Not Included)
- 0-10V and Leading Edge Dimming Options Available
- Integral EM battery available (Wall Mount Only for 2' Lengths) (120-277V Only)
- CSA Listed Damp Location
- L70 Life Time For 50,000hr
- IES Files Available
- See Page 4 for Dimensions

OPTIONAL MOTION SENSORS

- The FS-505 is an External Motion Sensor Contained in an Attached Compartment - To be Mounted Horizontally on Wall (See Page 5 For Manufacturer Specific Application & Coverage Patterns.)
- The HFLUM2-WR is an Internal Microwave Motion Sensor - May be Mounted on Wall or Ceiling

ORDERING INFORMATION

Example : (OAS24 - L38.3 - ZE1050 - 120-277V - SD50 - WAL - WH - 30K - MSE) White is Standard Finish

| PRODUCT | SOURCE/WATTAGE | VOLTAGE | DIMMING | DIFFUSER | FINISH | OPTIONS |
|----------------------|--|---|--|--|---|---|
| Oasis 24" Fixture | OAS24-L38.3-ZE1050 38.3W @ 1050mA Constant Current Dimming Electronic Driver (Dimmable 0-10V) | 120 - 277V 347V (50 / 60Hz) | SD10 - Bi-level Step Dimming (10 - 100%) (All 24" Voltages) | CAL - Clear Acrylic (Standard) WAL - White Acrylic | WH - White (Standard) SM - Matte Silver TB - Textured Black AC - Antique Copper AS - Antique Silver BT - Bronze Mist CP - Copper KC - Kenworth Chrome SN - Sand SW - Swedish Steel BZ - Textured Bronze TW - Textured White RAL Colors or Custom Match - Consult Factory | 50K - 5000K Color Temp. 40K - 4000K Color Temp. 35K - 3500K Color Temp. 30K - 3000K Color Temp. 27K - 2700K Color Temp. F - Fused (120V / 277V Only) SP - Surge Protector MSE - Wattstopper FS-505 External Motion Sensor Power Pack MSI - Steinel HFLUM2-WR Internal Motion Sensor (120V / 277V Only) EB - KT-EMRG-LED12-1200 Emergency Driver (120V - 277V Only) (Wall Mount Only for 2') BFL - Front Baffle For Up / Down Lighting |
| | OAS24-L34.7-LE950 34.7W @ 950mA Constant Current Leading Edge Dimming Electronic Driver (120V Only) | | SD25 - Bi-level Step Dimming (25 - 100%) (120V / 277V Only) | | | |
| | | | SD50 - Bi-level Step Dimming (50 - 100%) (120V / 277V Only) | | | |

| REPLACEMENT PARTS | PART NO. |
|----------------------------|----------|
| 24" Clear Acrylic Diffuser | 30909 |

NOTES

We reserve the right to revise the design or components of any product due to parts availability or change in UL standards, without assuming any obligation or liability to modify any products previously manufactured, and without notice.

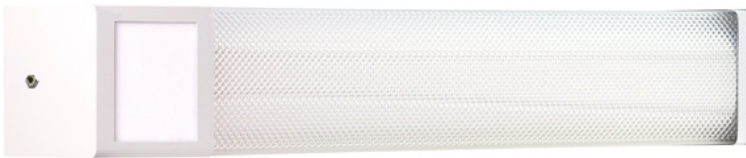


| |
|--------------|
| PROJECT : |
| TYPE : |
| ORDERING # : |
| COMMENTS : |

OASIS LED



Shown with MSE



SHOWN WITH "MSI" OPTION

FEATURES

- Steel Mounting Pan w/ Hi-Reflectance White Powder Coat Finish
- Aluminum Reflector w/ Hi-Reflectance White Powder Coat Finish
- Steel End Caps w/ White Powder Coat Finish
- Clear Acrylic Lens w/ Ribbed Sides and Prismatic Front
- Mounts Directly to Wall or Ceiling w/ Two Wall Anchors (Not Included)
- 0-10V and Leading Edge Dimming Options Available
- Integral EM battery available (Wall Mount Only for 2' Lengths) (120-277V Only)
- CSA Listed Damp Location
- L70 Life Time For 50,000hr
- IES Files Available
- See Page 4 for Dimensions

OPTIONAL MOTION SENSORS

- The FS-505 is an External Motion Sensor Contained in an Attached Compartment
- To be Mounted Horizontally on Wall
(See Page 5 For Manufacturer Specific Application & Coverage Patterns.)
- The HFLUM2-WR is an Internal Microwave Motion Sensor
- May be Mounted on Wall or Ceiling

ORDERING INFORMATION

| | |
|---|---------------------------------|
| Example : (OAS36 - L54.4 - KE1600 - 120-277V - CAL - WH - 30K - MSI) | White is Standard Finish |
|---|---------------------------------|

| PRODUCT | SOURCE/WATTAGE | VOLTAGE | DIMMING | DIFFUSER | FINISH | OPTIONS |
|--------------------------|---|--|--|---|---|--|
| Oasis 36" Fixture | OAS36-L54.4-ZE1600 54.4W @ 1600mA Constant Current Dimming Driver (Dimmable 0-10V) | 120 - 277V 347V (50 / 60Hz) | SD10 - Bi-level Step Dimming (10 - 100%) (All 24" Voltages) | CAL - Clear Acrylic (Standard) WAL - White Acrylic | WH - White (Standard) SM - Matte Silver TB - Textured Black AC - Antique Copper AS - Antique Silver BT - Bronze Mist CP - Copper KC - Kenworth Chrome SN - Sand SW - Swedish Steel BZ - Textured Bronze TW - Textured White RAL Colors or Custom Match - Consult Factory | 50K - 5000K Color Temp. 40K - 4000K Color Temp. 35K - 3500K Color Temp. 30K - 3000K Color Temp. 27K - 2700K Color Temp. F - Fused (120V / 277V Only) SP - Surge Protector MSE - Wattstopper FS-505 External Motion Sensor Power Pack MSI - Steinel HFLUM2-WR Internal Motion Sensor (120V / 277V Only) EB - KT-EMRG-LED12-1200 Emergency Driver (120V - 277V Only) BFL - Front Baffle For Up / Down Lighting |
| | OAS36-L54.4-LE1600 54.4W @ 1600mA Constant Current Leading Edge Dimming Driver (120V Only) | SD25 - Bi-level Step Dimming (25 - 100%) (120V / 277V Only) | | | | |
| | OAS36-L43.5-LE1280 43.5W @ 1280mA Constant Current Leading Edge Dimming Driver (120V Only) L70 life time for 50,000hr | SD50 - Bi-level Step Dimming (50 - 100%) (120V / 277V Only) | | | | |

| REPLACEMENT PARTS | PART NO. |
|----------------------------|----------|
| 36" Clear Acrylic Diffuser | 30907 |

NOTES

We reserve the right to revise the design or components of any product due to parts availability or change in UL standards, without assuming any obligation or liability to modify any products previously manufactured, and without notice.



| |
|--------------|
| PROJECT : |
| TYPE : |
| ORDERING # : |
| COMMENTS : |

OASIS LED



Shown with MSE



SHOWN WITH "MSI" OPTION

FEATURES

- Steel Mounting Pan w/ Hi-Reflectance White Powder Coat Finish
- Aluminum Reflector w/ Hi-Reflectance White Powder Coat Finish
- Steel End Caps w/ White Powder Coat Finish
- Clear Acrylic Lens w/ Ribbed Sides and Prismatic Front
- Mounts Directly to Wall or Ceiling w/ Two Wall Anchors (Not Included)
- 0-10V and Leading Edge Dimming Options Available
- Integral EM battery available (Wall Mount Only for 2' Lengths) (120-277V Only)
- CSA Listed Damp Location
- L70 Life Time For 50,000hr
- IES Files Available
- See Page 4 for Dimensions

OPTIONAL MOTION SENSORS

- The FS-505 is an External Motion Sensor Contained in an Attached Compartment
- To be Mounted Horizontally on Wall
(See Page 5 For Manufacturer Specific Application & Coverage Patterns.)
- The HFLUM2-WR is an Internal Microwave Motion Sensor
- May be Mounted on Wall or Ceiling

ORDERING INFORMATION

Example : (OAS48 - L69.4 - ZE1900 - 120-277V - SD50 - WH - 30K - MSE) White is Standard Finish

| PRODUCT | SOURCE/WATTAGE | VOLTAGE | DIMMING | FINISH | OPTIONS |
|------------------------------|---|---|---|---|--|
| Oasis 48" Fixture | OAS48-L69.4-ZE1900 69.4W @ 1900mA Constant Current Dimming Electronic Driver (Dimmable 0-10V) | 120 - 277V 347V (50 / 60Hz) | SD10 - Bi-level Step Dimming (10 - 100%) (347V Only) SD25 - Bi-level Step Dimming (25 - 100%) (120V / 277V Only) | WH - White (Standard) SM - Matte Silver TB - Textured Black AC - Antique Copper AS - Antique Silver BT - Bronze Mist CP - Copper KC - Kenworth Chrome SN - Sand SW - Swedish Steel BZ - Textured Bronze TW - Textured White RAL Colors or Custom Match - Consult Factory | 50K - 5000K Color Temp. 30K - 3000K Color Temp. 40K - 4000K Color Temp. 27K - 2700K Color Temp. 35K - 3500K Color Temp. F - Fused (120V / 277V Only) SP - Surge Protector MSE - Wattstopper FS-505 External Motion Sensor w/ Power Pack MSI - Steinel HFLUM2-WR Internal Motion Sensor (120V / 277V Only) EB - KT-EMRG-LED12-1200 Emergency Driver (120V - 277V Only) BFL - Front Baffle For Up / Down Lighting |
| | OAS48-L69.4-LE1900 69.4W @ 1900mA Constant Current Leading Edge Dimming Electronic Driver (120V Only) L70 life time for 50,000hr | | | SD50 - Bi-level Step Dimming (50 - 100%) (120V / 277V Only) | |

| REPLACEMENT PARTS | PART NO. |
|----------------------------|----------|
| 48" Clear Acrylic Diffuser | 30904 |

NOTES

We reserve the right to revise the design or components of any product due to parts availability or change in UL standards, without assuming any obligation or liability to modify any products previously manufactured, and without notice.

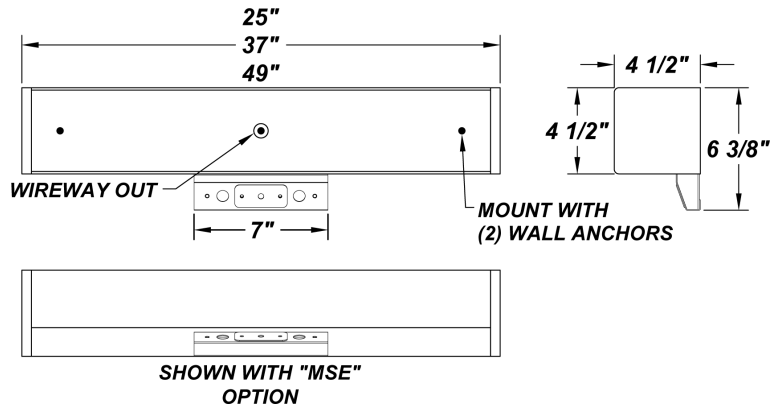


| |
|--------------|
| PROJECT : |
| TYPE : |
| ORDERING # : |
| COMMENTS : |

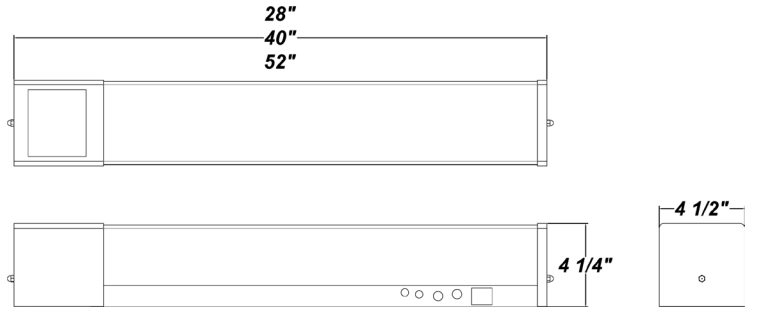
MOTION SENSOR OPTIONS AND DIMENSIONS



MSE (FS-505) OPTION



MSI (HFLUM2-WR) OPTION



REPLACEMENT PARTS PART NO.

| | |
|----------------------------|-------|
| 24" Clear Acrylic Diffuser | 30909 |
| 36" Clear Acrylic Diffuser | 30907 |
| 48" Clear Acrylic Diffuser | 30904 |

NOTES

Emergency Battery:
Initial light output in Emergency mode will last for a minimum of 90 minutes. It is suitable for dry and damp locations. Please refer to Keystones specification sheet

EB: KT-EMRG-LED-12-1200 12W Emergency Driver

We reserve the right to revise the design or components of any product due to parts availability or change in UL standards, without assuming any obligation or liability to modify any products previously manufactured, and without notice.





| |
|--------------|
| PROJECT : |
| TYPE : |
| ORDERING # : |
| COMMENTS : |

| PRODUCT | SOURCE/WATTAGE | 27K SPECIFICATIONS | 30K SPECIFICATIONS | 35K SPECIFICATIONS |
|-------------------------|---|--|---|--|
| OASIS 2' (OAS24) | L38.3 - 38.3W Output 45W Input Constant Current Driver set to 1050mA | L38.3 - 27K - 2700K Color Temp Nominal. - 3919 Estimated Delivered Lumens - 87.2 Estimated Delivered Lumens Per Watt | L38.3 - 30K - 3000K Color Temp Nominal. - 4080 Delivered Lumens - 90.8 Delivered Lumens Per Watt | L38.3 - 35K - 3500K Color Temp Nominal. - 4201 Estimated Delivered Lumens - 93.5 Estimated Delivered Lumens Per Watt |
| | | 40K SPECIFICATIONS | | 50K SPECIFICATIONS |
| | | L38.3 - 40K - 4000K Color Temp Nominal. - 4268 Estimated Delivered Lumens - 95.0 Estimated Delivered Lumens Per Watt | L38.3 - 50K - 5000K Color Temp Nominal. - 4659 Estimated Delivered Lumens - 103.7 Estimated Delivered Lumens Per Watt | |

| PRODUCT | SOURCE/WATTAGE | 27K SPECIFICATIONS | 30K SPECIFICATIONS | 35K SPECIFICATIONS |
|-------------------------|--|--|---|--|
| OASIS 2' (OAS24) | L34.7 - 34.7W Output 41W Input Constant Current Driver set to 950mA | L34.7 - 27K - 2700K Color Temp Nominal. - 3546 Estimated Delivered Lumens - 87.2 Estimated Delivered Lumens Per Watt | L34.7 - 30K - 3000K Color Temp Nominal. - 3691 Estimated Delivered Lumens - 90.8 Estimated Delivered Lumens Per Watt | L34.7 - 35K - 3500K Color Temp Nominal. - 3801 Estimated Delivered Lumens - 93.5 Estimated Delivered Lumens Per Watt |
| | | 40K SPECIFICATIONS | | 50K SPECIFICATIONS |
| | | L34.7 - 40K - 4000K Color Temp Nominal. - 3862 Estimated Delivered Lumens - 95.0 Estimated Delivered Lumens Per Watt | L34.7 - 50K - 5000K Color Temp Nominal. - 4216 Estimated Delivered Lumens - 103.7 Estimated Delivered Lumens Per Watt | |

| PRODUCT | SOURCE/WATTAGE | 27K SPECIFICATIONS | 30K SPECIFICATIONS | 35K SPECIFICATIONS |
|-------------------------|---|---|---|--|
| OASIS 3' (OAS36) | L54.4 - 54.4W Output 63W Input Constant Current Driver set to 1600mA | L54.4 - 27K - 2700K Color Temp Nominal. - 5835 Estimated Delivered Lumens - 92.6 Estimated Delivered Lumens Per Watt | L54.4 - 30K - 3000K Color Temp Nominal. - 6075 Delivered Lumens - 96.4 Delivered Lumens Per Watt | L54.4 - 35K - 3500K Color Temp Nominal. - 6256 Estimated Delivered Lumens - 99.3 Estimated Delivered Lumens Per Watt |
| | | 40K SPECIFICATIONS | | 50K SPECIFICATIONS |
| | | L54.4 - 40K - 4000K Color Temp Nominal. - 6355 Estimated Delivered Lumens - 100.8 Estimated Delivered Lumens Per Watt | L54.4 - 50K - 5000K Color Temp Nominal. - 6938 Estimated Delivered Lumens - 110.1 Estimated Delivered Lumens Per Watt | |

| PRODUCT | SOURCE/WATTAGE | 27K SPECIFICATIONS | 30K SPECIFICATIONS | 35K SPECIFICATIONS |
|-------------------------|---|---|---|--|
| OASIS 3' (OAS36) | L43.5 - 43.5W Output 50W Input Constant Current Driver set to 1280mA | L43.5 - 27K - 2700K Color Temp Nominal. - 4668 Estimated Delivered Lumens - 92.6 Estimated Delivered Lumens Per Watt | L43.5 - 30K - 3000K Color Temp Nominal. - 4860 Estimated Delivered Lumens - 96.4 Estimated Delivered Lumens Per Watt | L43.5 - 35K - 3500K Color Temp Nominal. - 5005 Estimated Delivered Lumens - 99.3 Estimated Delivered Lumens Per Watt |
| | | 40K SPECIFICATIONS | | 50K SPECIFICATIONS |
| | | L43.5 - 40K - 4000K Color Temp Nominal. - 5084 Estimated Delivered Lumens - 100.8 Estimated Delivered Lumens Per Watt | L43.5 - 50K - 5000K Color Temp Nominal. - 5550 Estimated Delivered Lumens - 110.1 Estimated Delivered Lumens Per Watt | |





| |
|--------------|
| PROJECT : |
| TYPE : |
| ORDERING # : |
| COMMENTS : |

| PRODUCT | SOURCE/WATTAGE | 27K SPECIFICATIONS | 30K SPECIFICATIONS | 35K SPECIFICATIONS |
|-------------------------|--|--|--|---|
| OASIS 4' (OAS48) | L69.4 - 69.4W Output 89W Input Constant Current Driver set to 1900mA | L69.4 - 27K - 2700K Color Temp Nominal. - 8555 Estimated Delivered Lumens - 95.9 Estimated Delivered Lumens Per Watt | L69.4 - 30K - 3000K Color Temp Nominal. - 8907 Delivered Lumens - 99.8 Delivered Lumens Per Watt | L69.4 - 35K - 3500K Color Temp Nominal. - 9172 Estimated Delivered Lumens - 102.8 Estimated Delivered Lumens Per Watt |
| | | | 40K SPECIFICATIONS L69.4 - 40K - 4000K Color Temp Nominal. - 9318 Estimated Delivered Lumens - 104.5 Estimated Delivered Lumens Per Watt | 50K SPECIFICATIONS L69.4 - 50K - 5000K Color Temp Nominal. - 10172 Estimated Delivered Lumens - 114.0 Estimated Delivered Lumens Per Watt |

