

EDGEBROOK WIN

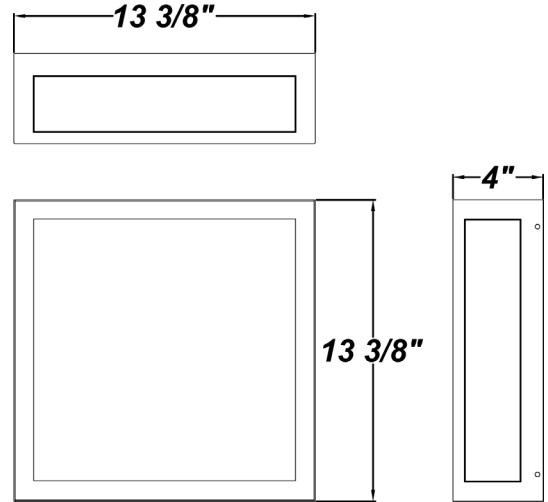


COMPACT FLUORESCENT

PROJECT :
TYPE :
ORDERING # :
COMMENTS :

FEATURES

- Steel Housing w/ Textured Black Polyester Powder Coat Finish
- Luminous White Acrylic Lens
- Steel Mount Pan w/ Hi-Reflectance White Polyester Powder Coat Finish
- Mounts Directly to 4" Junction Box (By Others) J-Box Centered in Fixture
- Mounting Hardware Included
- Lamps Included
- ADA Compliant
- Damp Location



ORDERING INFORMATION

Example : (EDK - WIN - F226Q - 120E - TB - 41K)

Textured Black is Standard Finish

PRODUCT	SOURCE/WATTAGE	VOLTAGE	DIFFUSER	FINISH	OPTIONS
Edgbrook WIN	F218Q - (2) 18W QE F226Q - (2) 26W QE F132X - (1) 32W TBX F142X - (1) 42W TBX	FLUORESCENT 120E - Electronic 120V 277E - Electronic 277V	Not Applicable	SM - Matte Silver TB - Textured Black AC - Antique Copper AS - Antique Silver BT - Bronze Mist CP - Copper SN - Sand SW - Swedish Steel BZ - Textured Bronze TW - Textured White RAL Colors or Custom Match - Consult Factory	41K - 4100K Color Temp. (Standard) 35K - 3500K Color Temp. 30K - 3000K Color Temp. 27K - 2700K Color Temp. DIM - Dimming Ballast (Electronic Only) F - Fused EBR - Remote Mount Battery (Field Installed)* MSP - Program Start Ballast (Recommended for Motion Sensor) ***

REPLACEMENT PARTS

PART NO.

White Acrylic Lens	3030960
--------------------	---------

We reserve the right to revise the design or components of any product due to parts availability or change in UL standards, without assuming any obligation or liability to modify any products previously manufactured, and without notice.

ARRA 2009



BUY AMERICA ACT Compliant

NOTES

***Emergency Battery Options**

Initial light output in Emergency mode will last for a minimum of 90 minutes. 1 lamp wired unless ordered otherwise. The following are suitable for indoor and damp locations. Please refer to Bodine's specification sheet

EBR:

Bodine's B94CG (Electronic) - Temperature Rating (Ambient) 32° F - 122° F

*** For Electronic Wattage Fixtures Being Used in Conjunction With an Occupancy Sensor (Either Provided by us, or Your Own System), a Program Start Ballast is Recommended in Order to Maximize Lamp Life.