

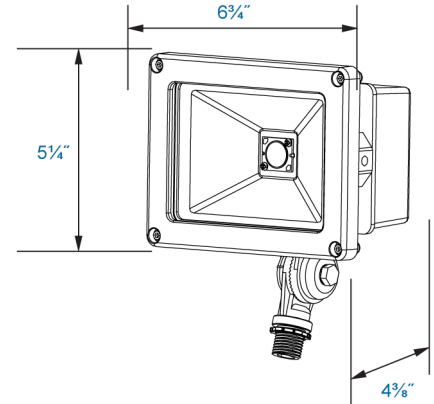
POLARA LED



PROJECT :
TYPE :
ORDERING # :
COMMENTS :

FEATURES

- Die-Cast Aluminum Housing w/ Textured Bronze Polyester Powder Coat Finish
- Clear Tempered Glass Diffuser
- Integral Heat Dissipating Fins
- Mounts Directly to 4" Junction Box (By Others) w/ Attached, Adjustable Knuckle
- 120V - 277V
- 112° Beam Angle
- One 21W LED Driver
- DLC Approved
- CSA Listed For Wet Location



ORDERING INFORMATION

Example : (PLA - L18.0 - 120V - 277V - BZ - 50K)

Textured Bronze is Standard Finish

PRODUCT	SOURCE/WATTAGE	VOLTAGE	DIFFUSER	FINISH	OPTIONS / SPECS
PLA					
Polara	L18.0 - 18W LED Array (Produces 1590 Lumens)	120V - 277V	Not Applicable	BZ - Textured Bronze	50K - 5000K Color Temperature

LED lighting facts
A Program of the U.S. DOE

Light Output (Lumens) **1584**
Watts **20.2**
Lumens per Watt (Efficacy) **78**

Color Accuracy **84**
Color Rendering Index (CRI)

Light Color **5214 (Daylight)**
Correlated Color Temperature (CCT)

2700K 3000K 4500K 6500K

Visit www.lightingfacts.com for the Label Reference Guide.

Registration Number: -NQR4B (5/13/2014)
Model Number: FL20L1x18USK
Type: Luminaire - Directional

NOTES

We reserve the right to revise the design or components of any product due to parts availability or change in UL standards, without assuming any obligation or liability to modify any products previously manufactured, and without notice.

