

**CALCUTTA CA LED**

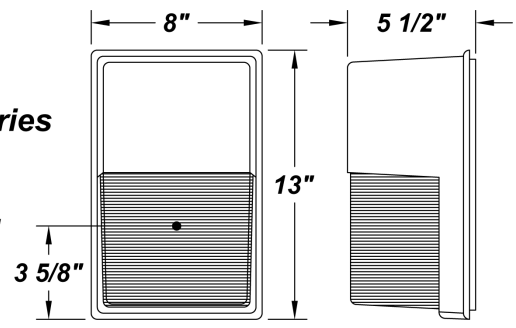


PROJECT :
TYPE :
ORDERING # :
COMMENTS :

**FEATURES**

- Die-Cast Aluminum Housing w/ Textured Bronze Polyester Powder Coat Finish
- Clear Prismatic Ribbed Borosilicate Glass lens
- Thermal Compensation Technology Ensures Longer LED Lifetime, Which is Ideal For Fixtures Being Placed in Area With Fluctuating or Higher Ambient Temperatures
- 120V - 277V
- Dimmable Driver
- Surge Protector
- Mounts Directly to 4" Junction Box (By Others)
- CSA Listed Wet Location For Wall Mount

**0.50" Conduit Entries**  
**One on Bottom of Fixture, and One on Back of Housing**



**ORDERING INFORMATION**

Example : (CAC - L19.0 - 120V - 277V -TB - 50K) Textured Bronze is Standard Finish

PRODUCT	SOURCE/WATTAGE	VOLTAGE	DIFFUSER	FINISH	OPTIONS / SPECS
CAC					
<b>Calcutta CA LED</b>	<b>L19.0-</b> (1) LumaFit LED Module  19.0 LED Module - (LM80 Standard) 50,000 Hours(L70)	<b>120V - 277V</b> 50 / 60Hz  Please See "Options / Specs" Column For Voltage Specifications	<b>Not Applicable</b>	<b>BZ - Textured Bronze</b>	<b>50K - 5000K Color Temp.</b> 2610 Array Lumens 1543 Delivered Lumens 23.9W Input = 64.6 Lumens Per Watt  <b>SF - Single Fused</b> <b>DF - Double Fused</b>

**REPLACEMENT PARTS** PART NO.

Replacement Clear Glass Diffuser	37027
----------------------------------	-------

**NOTES**

We reserve the right to revise the design or components of any product due to parts availability or change in UL standards, without assuming any obligation or liability to modify any products previously manufactured, and without notice.

