

ROYAL EB TTB

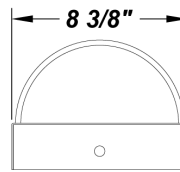


COMPACT FLUORESCENT

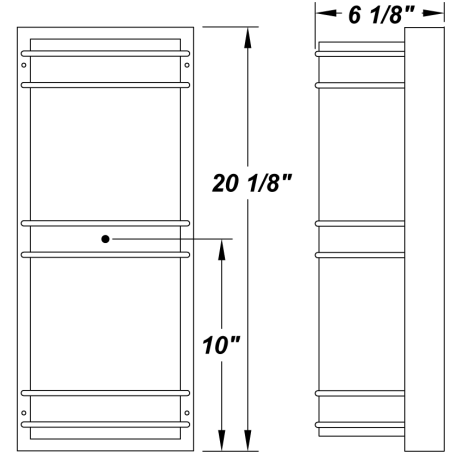
PROJECT :
TYPE :
ORDERING # :
COMMENTS :

FEATURES

- Steel Fascia w/ Textured Black Polyester Powder Coat Finish
- Luminous White 75% DR Acrylic Diffuser
- Steel Mounting Pan w/ Hi-Reflectance White Powder Coat Finish
- Mounts Directly to 4" Junction Box (By Others)
- Mounting Hardware Included
- Integral EM Battery Available
- Lamps Included
- Wet Location



BOTTOM VIEW



ORDERING INFORMATION

Example : (RLB - TTB - 239E - 120E - TB - 41K)

Textured Black is Standard Finish

PRODUCT	SOURCE/WATTAGE	VOLTAGE	DIFFUSER	FINISH	OPTIONS
Royal EB	TTB-226Q - (2) 26W QE TTB-227E - (2) 27W 4-Pin Biax TTB-232X - (2) 32W TBX TTB-239E - (2) 39W 4-Pin Biax	120E - Electronic 277E - Electronic	Not Applicable	SM - Matte Silver TB - Textured Black AC - Antique Copper AS - Antique Silver BT - Bronze Mist CP - Copper SN - Sand SW - Swedish Steel BZ - Textured Bronze TW - Textured White RAL Colors or Custom Match - Consult Factory	41K - 4100K Color Temp. (Standard) 35K - 3500K Color Temp. 30K - 3000K Color Temp. 27K - 2700K Color Temp. (Not Available in 4-Pin Biax) F - Fused DIM - Dimming Ballast EBR - Remote Mount Battery (Field Installed)* EBW / EBC - Integral Emergency Battery* W2L - Wire 2 Lamps to Integral Emergency Battery (2x26W Maximum) MSP - Program Start Ballast (Recommended for Motion Sensor) ***

REPLACEMENT PARTS

PART NO.

White 75% DR Acrylic Lens

3051160

We reserve the right to revise the design or components of any product due to parts availability or change in UL standards, without assuming any obligation or liability to modify any products previously manufactured, and without notice.

ARRA 2009



BUY AMERICA ACT



NOTES

***Emergency Battery Options**

Initial light output in Emergency mode will last for a minimum of 90 minutes. 1 lamp wired unless ordered otherwise. The following are suitable for indoor and damp locations. Please refer to Bodine's specification sheet

EBR: Bodine's B94CG (Electronic) - Temperature Rating (Ambient) 32° F - 122° F

EBW: Bodine's B94G (Electronic) - Temperature Rating (Ambient) 32° F - 131° F

EBC: Bodine's B4CF1 (Electronic) - Temperature Rating (Ambient) -4° F - 131° F

*** For Electronic Wattage Fixtures Being Used in Conjunction With an Occupancy Sensor (Either Provided by us, or Your Own System), a Program Start Ballast is Recommended in Order to Maximize Lamp Life.