

PROJECT :
TYPE :
ORDERING # :
COMMENTS :

PRECEPT

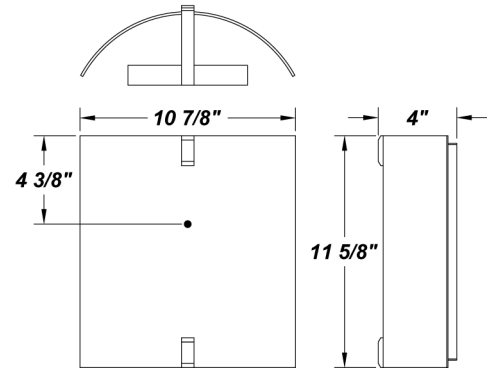


COMPACT FLUORESCENT

FEATURES

- Steel Mounting Pan w/ Hi-Reflectance White Powder Coat Finish
- Luminous White Acrylic Lens
- Steel Trim Accents w/ Matte Silver Powder Trim Finish
- Mounts Directly to 4" Junction Box (By Others)
- Mounting Hardware Included
- Lamps Included
- ADA Compliant
- CSA Listed Dry Location For Wall Mount

TOP/BOTTOM VIEW



ORDERING INFORMATION

Example : (PP218Q - 120E - SM - 35K)

Matte Silver is Standard Finish

PRODUCT	SOURCE/WATTAGE	VOLTAGE	DIFFUSER	FINISH	OPTIONS
Precept	PP113E - (1) 13W 4-Pin Biax PP213E - (2) 13W 4-Pin Biax PP118Q - (1) 18W QE PP218Q - (2) 18W QE PP126Q - (1) 26W QE PP226Q - (2) 26W QE	120E - Electronic 277E - Electronic 347E - Electronic	Not Applicable	SM - Matte Silver TB - Textured Black AC - Antique Copper AS - Antique Silver BT - Bronze Mist CP - Copper SN - Sand SW - Swedish Steel BZ - Textured Bronze TW - Textured White KC - Kenworth Chrome RAL Colors or Custom Match - Consult Factory	41K - 4100K Color Temp. 35K - 3500K Color Temp. (Except F113E & F213E) 30K - 3000K Color Temp. 27K - 2700K Color Temp. (Standard) F - Fused (Not Available For 347V) DIM - Dimming Ballast (QE Electronic Only) EBR - Remote Mount Battery (Field Installed)** MSP - Program Start Ballast (Recommended for Motion Sensor) ***

REPLACEMENT PARTS

PART NO.

White Acrylic Lens 3015360

We reserve the right to revise the design or components of any product due to parts availability or change in UL standards, without assuming any obligation or liability to modify any products previously manufactured, and without notice.

NOTES

*Fluorescent Only

**Emergency Battery Options

Initial light output in Emergency mode will last for a minimum of 90 minutes. 1 lamp wired unless ordered otherwise. The following are suitable for indoor and damp locations. Please refer to Bodine's specification sheet

EBR:

Bodine's B94CG (Electronic) - Temperature Rating (Ambient) 32° F - 122° F

ARRA 2009



BUY AMERICA ACT Compliant

*** For Electronic Wattage Fixtures Being Used in Conjunction With an Occupancy Sensor (Either Provided by us, or Your Own System), a Program Start Ballast is Recommended in Order to Maximize Lamp Life.