

PROJECT :
TYPE :
ORDERING # :
COMMENTS :

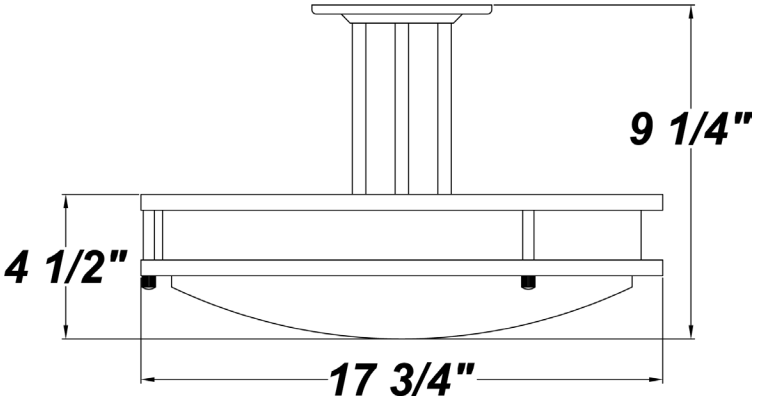
NIKE P 18 INCH



COMPACT FLUORESCENT

FEATURES

- Die-Form Cold-Rolled Steel Housing w/ Brushed Nickel Plated Finish
- Steel Trim w/ Brushed Nickel Plated Finish
- Steel Canopy & Stems w/ Brushed Nickel Plated Finish
- Steel Mounting Pan w/ Hi-Reflectance White Powder Coat Finish
- Luminous White Acrylic Diffuser
- Mounts Directly to 4" Junction Box (By Others)
- Mounting Hardware Included
- Lamps Included
- Dry Location



ORDERING INFORMATION

Example : (NEP18 - 226Q - 120E - SM - 41K) Brushed Nickel is Standard Finish

PRODUCT	SOURCE/WATTAGE	VOLTAGE	DIFFUSER	FINISH	OPTIONS
NEP18 (17 3/4" Fixture)	NEP18-226Q - (2) 26W QE ** NEP18-313Q - (3) 13W QE NEP18-318Q - (3) 18W QE NEP18-326Q - (3) 26W QE NEP18-140CE - (1) 40W T5 Circ NEP18-162CE - (1) 22W & 40W T5 Circ Fixtures With a ** Are Available With a Dimming Option	120E - Electronic 277E - Electronic	Not Applicable	BN - Brushed Nickel Plate SM - Matte Silver TB - Textured Black AC - Antique Copper AS - Antique Silver BT - Bronze Mist CP - Copper KC - Kenworth Chrome SN - Sand SW - Swedish Steel BZ - Textured Bronze TW - Textured White RAL Colors or Custom Match - Consult Factory	41K - 4100K Color Temp. (Not Available For T5 Circ) 35K - 3500K Color Temp. 30K - 3000K Color Temp. 27K - 2700K Color Temp. (Not Available for T5 Circ) DIM - Dimming Ballast ** (2 Lamp QE Electronic Only) EBR - Remote Mount Battery (Field Installed) ** MSP - Program Start Ballast (Recommended for Motion Sensor) ***

REPLACEMENT PARTS	PART NO.
18" White Acrylic Diffuser	3049760

NOTES

****Emergency Battery Options**
Initial light output in Emergency mode will last for a minimum of 90 minutes. 1 lamp wired unless ordered otherwise. The following are suitable for indoor and damp locations. Please refer to Bodine's specification sheet
EBR: Bodine's B94CG (Electronic) - Temperature Rating (Ambient) 32° F - 122° F

*** For Electronic Wattage Fixtures Being Used in Conjunction With an Occupancy Sensor (Either Provided by us, or Your Own System), a Program Start Ballast is Recommended in Order to Maximize Lamp Life.



We reserve the right to revise the design or components of any product due to parts availability or change in UL standards, without assuming any obligation or liability to modify any products previously manufactured, and without notice.