

LANDMARK S

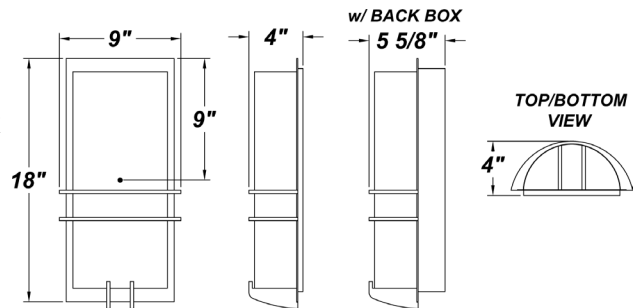


COMPACT FLUORESCENT

PROJECT :
TYPE :
ORDERING # :
COMMENTS :

FEATURES

- Steel Trim Accents w/ Matte Silver Powder Coat Finish
- Opal White Glass Diffuser
- Aluminum Mounting Pan
- Aluminum Anod Reflector
- Open Top & Bottom
- Mounts Directly to 4" Junction Box (By Others)
- Integral EM Battery Available (Back Box Required)
- Mounting Hardware Included
- Lamps Included
- ADA Compliant
- CSA Listed Dry Location For Wall Mount



ORDERING INFORMATION

Example : (LNDS - F226Q - 120E - WGL - SM - 41K)

Matte Silver is Standard Finish

PRODUCT	SOURCE/WATTAGE	VOLTAGE	DIFFUSER	FINISH	OPTIONS
Landmark S	F213E - (2) 13W 4-Pin Biax F218Q - (2) 18W QE F226Q - (2) 26W QE	120E - 120V Electronic 277E - 277V Electronic 347E - 347V Electronic	WGL - White Glass Lens (Standard) WAL - White Acrylic Lens	SM - Matte Silver TB - Textured Black AC - Antique Copper AS - Antique Silver BT - Bronze Mist CP - Copper KC - Kenworth Chrome SN - Sand SW - Swedish Steel BZ - Textured Bronze TW - Textured White RAL Colors or Custom Match - Consult Factory	41K - 4100K Color Temp. (Standard) 35K - 3500K Color Temp. (Except F213E) 30K - 3000K Color Temp. 27K - 2700K Color Temp. F - Fused (Not Available For 347V) DIM - Dimming Ballast (QE Electronic Only) EB-BB - Integral Emergency Battery (Back Box Req'd)* BB - Back Box EBR - Remote Mount Battery (Field Installed)* W2L - Wire 2 Lamps to Integral Emergency Battery (2x18W Max) MSP - Program Start Ballast (Recommended for Motion Sensor) ***

REPLACEMENT PARTS

PART NO.

Opal White Glass Diffuser	3706960
White Acrylic Diffuser	3027860

We reserve the right to revise the design or components of any product due to parts availability or change in UL standards, without assuming any obligation or liability to modify any products previously manufactured, and without notice.

NOTES

*Emergency Battery Options

Initial light output in Emergency mode will last for a minimum of 90 minutes. 1 lamp wired unless ordered otherwise. The following are suitable for indoor and damp locations. Please refer to Bodine's specification sheet.

EBW:

Bodine's B94G (Electronic) - Temperature Rating (Ambient) 32° F - 131° F

EBR:

Bodine's B94CG (Electronic) - Temperature Rating (Ambient) 32° F - 122° F

*** For Electronic Wattage Fixtures Being Used in Conjunction With an Occupancy Sensor (Either Provided by us, or Your Own System), a Program Start Ballast is Recommended in Order to Maximize Lamp Life.

ARRA 2009



BUY AMERICA ACT

