

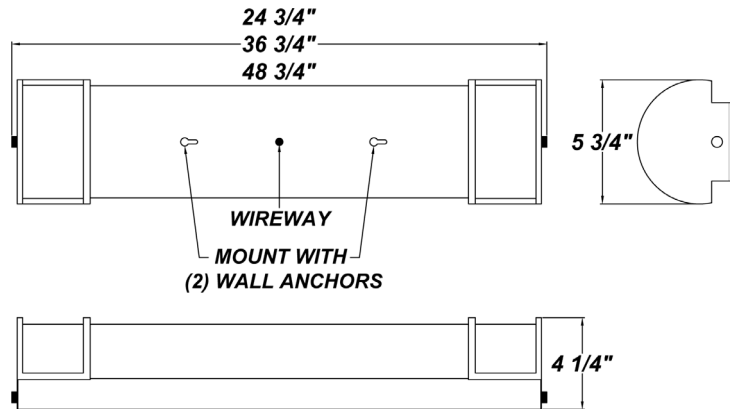
DUNLOP LED



PROJECT :
TYPE :
ORDERING # :
COMMENTS :

FEATURES

- Die-Formed Cold-Rolled Steel End Caps w/ Brushed Nickel Plated Finish
- Steel Housing w/ Hi-Reflectance White Powder Coat Finish
- Luminous White Acrylic Diffuser
- Aluminum LED Mount Plate
- Mounts Directly to Surface w/ Two Wall Anchors (Not Included)
- CSA Listed Damp Location For Surface Mount
- Awaiting IES Files, DLC, Lighting Facts, And Title 24 Labeling / Certification



ORDERING INFORMATION

Example : (DP24 - L18.0 - 120-277V - BN - 35K)

Brushed Nickel is Standard Finish

PRODUCT	SOURCE/WATTAGE	VOLTAGE	DRIVER OPTIONS	FINISH	OPTIONS
Dunlop 2' (DP24)	L12.0 - 12W LED Strips L18.0 - 18W LED Strips L20.6 - 20.6W LED Strips See Page 4 For Wattage Specifications	120 - 277V (120 - 230V Dimmable)	LE350 - 350mA Driver (For use With L12.0) (120V Only) TE350 * - 350mA Driver (For Use with L12.0) LE500 - 500mA Driver (For Use With L18.0) (120V Only) TE500 * - 500mA Driver (For Use With L18.0) ZE500 - 500mA Driver (For Use With L18.0) (Dimmable 0 - 10V) ZE600 - 600mA Driver (For Use With L20.6) (Dimmable 0 - 10V) * For Use With Electronic Low Voltage Dimmers	BN - Brushed Nickel Plate (Standard) SM - Matte Silver TB - Textured Black AC - Antique Copper AS - Antique Silver BT - Bronze Mist CP - Copper SN - Sand SW - Swedish Steel BZ - Textured Bronze TW - Textured White RAL Colors or Custom Match - Consult Factory	40K - 4000K Color Temperature 35K - 3500K Color Temperature 30K - 3000K Color Temperature

ARRA 2009



REPLACEMENT PARTS PART NO.

24" White Acrylic LED Lens Assembly	38201
36" White Acrylic LED Lens Assembly	38219
48" White Acrylic LED Lens Assembly	38202

NOTES

We reserve the right to revise the design or components of any product due to parts availability or change in UL standards, without assuming any obligation or liability to modify any products previously manufactured, and without notice.

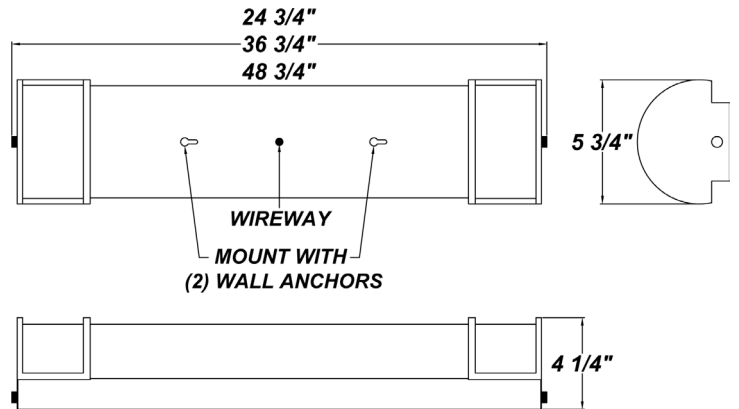
DUNLOP LED



PROJECT :
TYPE :
ORDERING # :
COMMENTS :

FEATURES

- Die-Formed Cold-Rolled Steel End Caps w/ Brushed Nickel Plated Finish
- Steel Housing w/ Hi-Reflectance White Powder Coat Finish
- Luminous White Acrylic Diffuser
- Aluminum LED Mount Plate
- Mounts Directly to Surface w/ Two Wall Anchors (Not Included)
- CSA Listed Damp Location For Surface Mount
- Awaiting IES Files, DLC, Lighting Facts, And Title 24 Labeling / Certification



ORDERING INFORMATION

Example : (DP36 - L23.2 - 120-277V - ZE700 - SN - 40K)

Brushed Nickel is Standard Finish

PRODUCT	SOURCE/WATTAGE	VOLTAGE	DRIVER OPTIONS	FINISH	OPTIONS
Dunlop 3' (DP36)	L23.2 - 23.2W LED Strip(s) L30.0 - 30W LED Strip(s) See Page 4 For Wattage Specifications	120 - 277V (120 - 230V Dimmable)	TE700 - 700mA Driver (For Use With L23.2) ZE700 - 700mA Driver (For Use With L23.2) (Dimmable 0 - 10V) ZE875 - 875mA Driver (For Use With L30.0) (Dimmable 0 - 10V)	BN - Brushed Nickel Plate (Standard) SM - Matte Silver TB - Textured Black AC - Antique Copper AS - Antique Silver BT - Bronze Mist CP - Copper SN - Sand SW - Swedish Steel BZ - Textured Bronze TW - Textured White RAL Colors or Custom Match - Consult Factory	40K - 4000K Color Temperature 35K - 3500K Color Temperature 30K - 3000K Color Temperature

ARRA 2009



REPLACEMENT PARTS PART NO.

24" White Acrylic LED Lens Assembly	38201
36" White Acrylic LED Lens Assembly	38219
48" White Acrylic LED Lens Assembly	38202

NOTES

We reserve the right to revise the design or components of any product due to parts availability or change in UL standards, without assuming any obligation or liability to modify any products previously manufactured, and without notice.

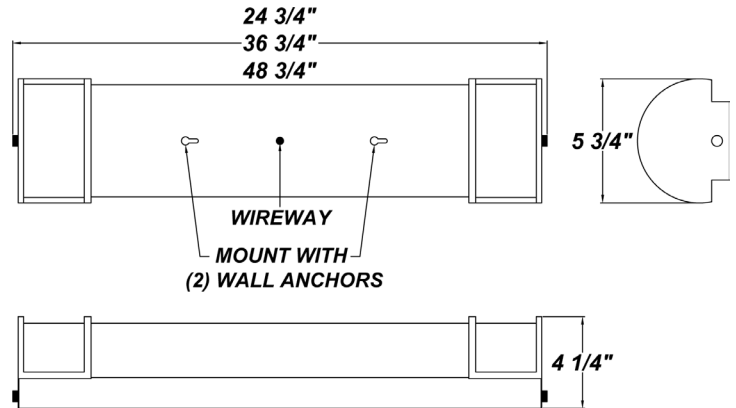
DUNLOP LED



PROJECT :
TYPE :
ORDERING # :
COMMENTS :

FEATURES

- Die-Formed Cold-Rolled Steel End Caps w/ Brushed Nickel Plated Finish
- Steel Housing w/ Hi-Reflectance White Powder Coat Finish
- Luminous White Acrylic Diffuser
- Aluminum LED Mount Plate
- Mounts Directly to Surface w/ Two Wall Anchors (Not Included)
- CSA Listed Damp Location For Surface Mount
- Awaiting IES Files, DLC, Lighting Facts, And Title 24 Labeling / Certification



ORDERING INFORMATION

Example : (DP48 - L36.0 - 120 - 277V - TE500 - CP - 35K)

Brushed Nickel is Standard Finish

PRODUCT	SOURCE/WATTAGE	VOLTAGE	DRIVER OPTIONS	FINISH	OPTIONS
Dunlop 4' (DP48)	L24.0 - 24W LED Strip(s)	120 - 277V	TE350 - 350mA Driver (For Use With L24.0)	BN - Brushed Nickel Plate (Standard) SM - Matte Silver TB - Textured Black AC - Antique Copper AS - Antique Silver BT - Bronze Mist CP - Copper SN - Sand SW - Swedish Steel BZ - Textured Bronze TW - Textured White RAL Colors or Custom Match - Consult Factory	40K - 4000K Color Temperature 35K - 3500K Color Temperature 30K - 3000K Color Temperature
	L36.0 - 36W LED Strip(s)	(120 - 230V Dimmable)	TE500 - 500mA Driver (For Use With L36.0)		
	L41.2 - 41.2W LED Strip(s)		LE350 - 350mA Driver (For use With L24.0) (120V Only)		
	See Page 4 For Wattage Specifications		LE500 - 500mA Driver (For Use With L36.0) (120V Only)		
			ZE500 - 500mA Driver (For Use With L36.0) (Dimmable 0 - 10V)		
			ZE600 - 600mA Driver (For Use With L41.2) (Dimmable 0 - 10V)		

ARRA 2009



REPLACEMENT PARTS PART NO.

24" White Acrylic LED Lens Assembly	38201
36" White Acrylic LED Lens Assembly	38219
48" White Acrylic LED Lens Assembly	38202

NOTES

We reserve the right to revise the design or components of any product due to parts availability or change in UL standards, without assuming any obligation or liability to modify any products previously manufactured, and without notice.

PROJECT :
TYPE :
ORDERING # :
COMMENTS :

PRODUCT	SOURCE/WATTAGE	30K SPECIFICATIONS	35K SPECIFICATIONS	40K SPECIFICATIONS
Dunlop 2'	L12.0 - 12.0W LED Strip(s)	<p>L12.0</p> <p>30K - 3000K Color Temp.</p> <ul style="list-style-type: none"> - 34 fV, Color Temp = 3000K Nominal - Constant Current 350 Milliamps Driver - 14W Input = 1400 LED Lumens - Estimated 100 Lumens Per Watt 	<p>L12.0</p> <p>35K - 3500K Color Temp.</p> <ul style="list-style-type: none"> - 34 fV, Color Temp = 3500K Nominal - Constant Current 350 Milliamps Driver - 14W Input = 1430 LED Lumens - Estimated 102 Lumens Per Watt 	<p>L12.0</p> <p>40K - 4000K Color Temp.</p> <ul style="list-style-type: none"> - 34 fV, Color Temp = 4000K Nominal - Constant Current 350 Milliamps Driver - 14W Input = 1458 LED Lumens - Estimated 104 Lumens Per Watt
	L18.0 - 18.0W LED Strip(s)	<p>L18.0</p> <p>30K - 3000K Color Temp.</p> <ul style="list-style-type: none"> - 34 fV, Color Temp = 3000K Nominal - Constant Current 500 Milliamps Driver - 20W Input = 1986 LED Lumens - Estimated 99 Lumens Per Watt 	<p>L18.0</p> <p>35K - 3500K Color Temp.</p> <ul style="list-style-type: none"> - 34 fV, Color Temp = 3500K Nominal - Constant Current 500 Milliamps Driver - 20W Input = 2028 LED Lumens - Estimated 101 Lumens Per Watt 	<p>L18.0</p> <p>40K - 4000K Color Temp.</p> <ul style="list-style-type: none"> - 34 fV, Color Temp = 4000K Nominal - Constant Current 500 Milliamps Driver - 20W Input = 2110 LED Lumens - Estimated 106 Lumens Per Watt
	L20.6 - 20.6W LED Strip(s)	<p>L20.6</p> <p>30K - 3000K Color Temp.</p> <ul style="list-style-type: none"> - 34 fV, Color Temp = 3000K Nominal - Constant Current 600 Milliamps Driver - 25W Input = 2050 LED Lumens - Estimated 82 Lumens Per Watt 	<p>L20.6</p> <p>35K - 3500K Color Temp.</p> <ul style="list-style-type: none"> - 34 fV, Color Temp = 3500K Nominal - Constant Current 600 Milliamps Driver - 25W Input = 2100 LED Lumens - Estimated 84 Lumens Per Watt 	<p>L20.6</p> <p>40K - 4000K Color Temp.</p> <ul style="list-style-type: none"> - 34 fV, Color Temp = 4000K Nominal - Constant Current 600 Milliamps Driver - 25W Input = 2200 LED Lumens - Estimated 88 Lumens Per Watt
Dunlop 3'	L23.2 - 23.2W LED Strip(s)	<p>L23.2</p> <p>30K - 3000K Color Temp.</p> <ul style="list-style-type: none"> - 66 LEDs Per Fixture - 34 fV, Color Temp = 3000K Nominal - Constant Current 700 Milliamps Driver - 28.4W Input = 3258 LED Lumens - Estimated 114.7 Lumens Per Watt 	<p>L23.2</p> <p>35K - 3500K Color Temp.</p> <ul style="list-style-type: none"> - 66 LEDs Per Fixture - 34 fV, Color Temp = 3500K Nominal - Constant Current 700 Milliamps Driver - 28.4W Input = 3326 LED Lumens - Estimated 117.1 Lumens Per Watt 	<p>L23.2</p> <p>40K - 4000K Color Temp.</p> <ul style="list-style-type: none"> - 34 fV, Color Temp = 3000K Nominal - Constant Current 700 Milliamps Driver - 28.4W Input = 3429 LED Lumens - Estimated 120.7 Lumens Per Watt
	L30.0 - 30.0W LED Strip(s)	<p>L30.0</p> <p>30K - 3000K Color Temp.</p> <ul style="list-style-type: none"> - 34 fV, Color Temp = 3000K Nominal - Constant Current 875 Milliamps Driver - 37W Input = 4072 LED Lumens - Estimated 110.1 Lumens Per Watt 	<p>L30.0</p> <p>35K - 3500K Color Temp.</p> <ul style="list-style-type: none"> - 34 fV, Color Temp = 3500K Nominal - Constant Current 875 Milliamps Driver - 37W Input = 4157 LED Lumens - Estimated 112.4 Lumens Per Watt 	<p>L30.0</p> <p>40K - 4000K Color Temp.</p> <ul style="list-style-type: none"> - 34 fV, Color Temp = 3000K Nominal - Constant Current 875 Milliamps Driver - 37W Input = 4286 LED Lumens - Estimated 115.8 Lumens Per Watt
Dunlop 4'	L24.0 - 24W LED Strip(s)	<p>L24.0</p> <p>30K - 3000K Color Temp.</p> <ul style="list-style-type: none"> - 34 fV, Color Temp = 3000K Nominal - Constant Current 350 Milliamps Driver - 28W Input = 2800 LED Lumens - Estimated 100 Lumens Per Watt 	<p>L24.0</p> <p>35K - 3500K Color Temp.</p> <ul style="list-style-type: none"> - 34 fV, Color Temp = 3500K Nominal - Constant Current 350 Milliamps Driver - 28W Input = 2860 LED Lumens - Estimated 102 Lumens Per Watt 	<p>L24.0</p> <p>40K - 4000K Color Temp.</p> <ul style="list-style-type: none"> - 34 fV, Color Temp = 4000K Nominal - Constant Current 350 Milliamps Driver - 28W Input = 2916 LED Lumens - Estimated 104 Lumens Per Watt
	L36.0 - 36W LED Strip(s)	<p>L36.0</p> <p>30K - 3000K Color Temp.</p> <ul style="list-style-type: none"> - 34 fV, Color Temp = 3000K Nominal - Constant Current 500 Milliamps Driver - 40W Input = 3972 LED Lumens - Estimated 99 Lumens Per Watt 	<p>L36.0</p> <p>35K - 3500K Color Temp.</p> <ul style="list-style-type: none"> - 34 fV, Color Temp = 3500K Nominal - Constant Current 500 Milliamps Driver - 40W Input = 4056 LED Lumens - Estimated 101 Lumens Per Watt 	<p>L36.0</p> <p>40K - 4000K Color Temp.</p> <ul style="list-style-type: none"> - 34 fV, Color Temp = 4000K Nominal - Constant Current 500 Milliamps Driver - 40W Input = 4220 LED Lumens - Estimated 106 Lumens Per Watt
	L41.2 - 41.2W LED Strip(s)	<p>L41.2</p> <p>30K - 3000K Color Temp.</p> <ul style="list-style-type: none"> - 34 fV, Color Temp = 3000K Nominal - Constant Current 600 Milliamps Driver - 43W Input = 5578 LED Lumens - Estimated 129.7 Lumens Per Watt 	<p>L41.2</p> <p>35K - 3500K Color Temp.</p> <ul style="list-style-type: none"> - 34 fV, Color Temp = 3500K Nominal - Constant Current 600 Milliamps Driver - 43W Input = 5696 LED Lumens - Estimated 132.5 Lumens Per Watt 	<p>L41.2</p> <p>40K - 4000K Color Temp.</p> <ul style="list-style-type: none"> - 34 fV, Color Temp = 4000K Nominal - Constant Current 600 Milliamps Driver - 43W Input = 5872 LED Lumens - Estimated 136.6 Lumens Per Watt

Please Note: All Lumen Output Numbers are Estimates Only

