

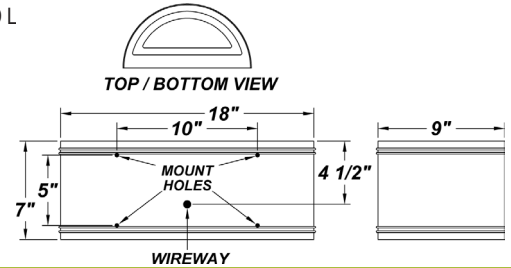
CORNERSTONE W LED



PROJECT :
TYPE :
ORDERING # :
COMMENTS :

FEATURES

- Die-Cast Aluminum Housing w/ Textured Black Polyester Powder Coat Finish
- Clear Tempered Glass Diffusers
- Constant Voltage Modules
- Thermal Compensation Technology Ensures Longer LED L Which is Ideal For Fixtures Being Placed in Area With Fluctuating or Higher Ambient Temperatures
- 120V - 277V
- Mounts Direct to Flat Surface w/ Two #8 Wall Anchors (Not Included)
- Surge Protector
- Integral Emergency LED Driver Available
- CSA Listed Wet Location



ORDERING INFORMATION

Example : (CRNW - L216.8 - 120 - 277V - CGL - TB - 51K)

Textured Black is Standard Finish

CRNW					
------	--	--	--	--	--

PRODUCT	SOURCE/WATTAGE	VOLTAGE	DIFFUSER	FINISH	OPTIONS
Cornerstone W	L116.8 - (4) 4.2W LED Modules - (One Side Illuminated) - (1) 20 Watt Driver - Must Order w/ UL or DL Option	120V - 277V Please See "Options / Specs" Column For Voltage Specifications	CGL - Clear Glass Lens (Standard)	TB - Textured Black SM - Matte Silver AC - Antique Copper AS - Antique Silver BT - Bronze Mist CP - Copper KC - Kenworth Chrome SN - Sand SW - Swedish Steel BZ - Textured Bronze TW - Textured White RAL Colors or Custom Match - Consult Factory	30K - 3000K Color Temp. 35K - 3500K Color Temp. (Available For L218.1 Only) 40K - 4000K Color Temp. 51K - 5100K Color Temp. PCL120 - Photocell 120V PCL277 - Photocell 277V DL - Downlight Only (L116.8 Only) UL - Uplight Only (L116.8 Only) EB - Bodine BSL26 - Will light 4 LED Modules - on Down Side of Fixture - AC Mode 960 Lumens - Battery @ 1 second = 322 Total Lumens - Battery @ 90 Minutes = 291 Total Lumens Please Note: 120V or 277V Must Be Specified When Ordering The EB Option
	L216.8 - (8) 4.2W LED Modules - (Four LED Modules Per Side) - (1) 40 Watt Driver				
	L133.6 - (8) 4.2W LED Modules - (One Side Illuminated) - (1) 40 Watt Driver - Must Order w/ UL or DL Option				
	L233.6 - (16) 4.2W LED Modules - (Eight LED Modules Per Side) - (2) 40 Watt Drivers				
	4.2W LED Modules - (LM80 Standard) **40,000 Hours(L70) More Wattages Available on Page 2				

REPLACEMENT PARTS

PART NO.

Replacement Clear Glass Lens	37028
Replacement Black Glass Lens	3702824

NOTES

The L216.8 Wattage Was Tested in Accordance With IES Standards Utilizing Absolute Photometry Per LM-79-08 at the Standard UL Temperature of 25 °C (77 °F)

**Definition of 40,000 hours: Lifetime Rating is Based on Lamp Manufacturers' LM80 Test Results Which Utilized an Exponentially Decaying Model, a Standard Used by The Department of Energy, as Well as by Other Manufacturers.

We reserve the right to revise the design or components of any product due to parts availability or change in UL standards, without assuming any obligation or liability to modify any products previously manufactured, and without notice.



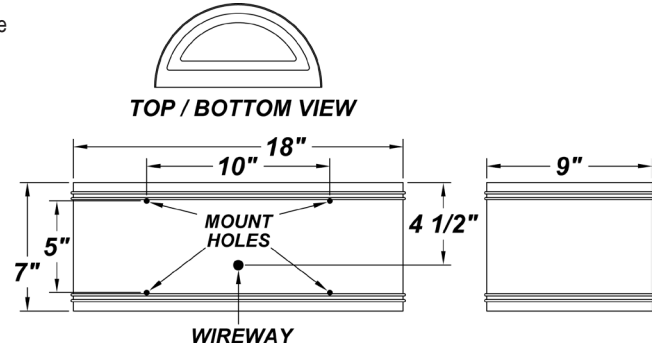
CORNERSTONE W LED



PROJECT :
TYPE :
ORDERING # :
COMMENTS :

FEATURES

- Die-Cast Aluminum Housing w/ Textured Black Polyester Powder Coat Finish
- Clear Tempered Glass Diffusers
- Thermal Compensation Technology Ensures Longer LED Lifetime, Which is Ideal For Fixtures Being Placed in Area With Fluctuating or Higher Ambient Temperatures
- 120V - 277V
- Mounts Direct to Flat Surface w/ Two #8 Wall Anchors (Not Included)
- Surge Protector
- Integral Emergency LED Driver Available
- CSA Listed Wet Location



ORDERING INFORMATION

Example : (CRNW - L121.0 - 120 - 277V - CGL - ZE12 - TB - 50K - DL)

Textured Black is Standard Finish

PRODUCT	SOURCE/WATTAGE	VOLTAGE	DIFFUSER	DIMMING OPTIONS	FINISH	OPTIONS
Cornerstone W	<p>L121.0 - (5) 4.2W LED Modules - (One Side Illuminated) - (Downlight Only) - (1) 26 Watt Driver - Must Order w/ UL or DL Option)</p> <p>L229.4 - (14) 4.2W LED Modules - (Eight LED Modules Down) - (Six LED Modules Up) - (1) 66 Watt Driver 4.2W LED Modules - (LM80 Standard) **40,000 Hours(L70)</p> <p>L218.1 - 18.1W LED Strip(s) - (Two LED Strips Per Side) - (1) 40 Watt Driver L70 life time for 50,000hr Lumen Specifications Available on Page 3</p>	120V - 277V	CGL - Clear Glass Lens (Standard)	<p>ZE12V - 12V Constant Current Dimming Electronic Driver (For L121.0 & L229.4) (Dimmable 0 - 10V)</p> <p>ZE1100 - 1100mA Low Voltage Dimming Electronic Driver (For L218.1) (Dimmable 0 - 10V)</p>	<p>TB - Textured Black SM - Matte Silver AC - Antique Copper AS - Antique Silver BT - Bronze Mist CP - Copper KC - Kenworth Chrome SN - Sand SW - Swedish Steel BZ - Textured Bronze TW - Textured White</p> <p>RAL Colors or Custom Match - Consult Factory</p>	<p>30K - 3000K Color Temp. 35K - 3500K Color Temp. 40K - 4000K Color Temp. 50K - 5000K Color Temp. (Not Available For L218.1) 51K - 5100K Color Temp. (Available For L218.1 Only) PCL120 - Photocell 120V PCL277 - Photocell 277V DL - Downlight Only (L121.0 Only) UL - Uplight Only (L121.0 Only) EB - Bodine BSL26 - Will light 4 LED Modules on Down Side of Fixture - AC Mode 960 Lumens - Battery @ 1 second = 322 Total Lumens - Battery @ 90 Minutes = 291 Total Lumens</p> <p>Please Note: 120V or 277V Must Be Specified When Ordering The EB Option</p>

NOTES

**Definition of 40,000 hours: Lifetime Rating is Based on Lamp Manufacturers' LM80 Test Results Which Utilized an Exponentially Decaying Model, a Standard Used by The Department of Energy, as Well as by Other Manufacturers.

REPLACEMENT PARTS

PART NO.

Replacement Clear Glass Lens	37028
Replacement Black Glass Lens	3702824

ARRA 2009

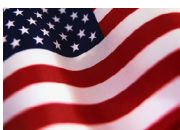


We reserve the right to revise the design or components of any product due to parts availability or change in UL standards, without assuming any obligation or liability to modify any products previously manufactured, and without notice.

PROJECT :
TYPE :
ORDERING # :
COMMENTS :

PRODUCT	SOURCE/WATTAGE	30K SPECIFICATIONS	40K SPECIFICATIONS	51K SPECIFICATIONS
Cornerstone W	L116.8 - (4) 4.2W LED Modules (One Side Illuminated) (Downlight Only) (1) 20 Watt Driver	L116.8 - Four 4.2W LED Modules 30K - 3000K Color Temp. -3 Nichia NS3x183 Series LEDs Per Module -SW30Bin, Color Temp = 3000K Nominal -Voltage Regulated at 12 Volts by Driver -80 CRI typ. (75 CRI min) 688 TOTAL Lumens 23W Input = Estimated 29.9 Lumens Per Watt	L116.8 - Four 4.2W LED Modules 40K - 4000K Color Temp. -3 Nichia NS3x183 Series LEDs Per Module -SW30Bin, Color Temp = 3000K Nominal -Voltage Regulated at 12 Volts by Driver -80 CRI typ. (75 CRI min) 754 TOTAL Lumens 23W Input = Estimated 32.8 Lumens Per Watt	L116.8 - Four 4.2W LED Modules 51K - 5100K Color Temp. -3 Nichia NS3x183 Series LEDs Per Module -SW51Bin, Color Temp = 5100K Nominal -Voltage Regulated at 12 Volts by Driver -80 CRI typ. (75 CRI min) 900 TOTAL Lumens 23W Input = Estimated 39.1 Lumens Per Watt
	L216.8 - (8) 4.2W LED Modules (Four LED Modules Per Side) (1) 40 Watt Driver	L216.8 & L133.6 - Eight 4.2W LED Modules 30K - 3000K Color Temp. -3 Nichia NS3x183 Series LEDs Per Module -SW30Bin, Color Temp = 3000K Nominal -Voltage Regulated at 12 Volts by Driver -80 CRI typ. (75 CRI min) 1376 TOTAL Lumens 45.2W Input = Estimated 30.4 Lumens Per Watt	L216.8 & L133.6 - Eight 4.2W LED Modules 40K - 4000K Color Temp. -3 Nichia NS3x183 Series LEDs Per Module -SW30Bin, Color Temp = 3000K Nominal -Voltage Regulated at 12 Volts by Driver -80 CRI typ. (75 CRI min) 1508 TOTAL Lumens 45.2W Input = Estimated 33.4 Lumens Per Watt	L216.8 & L133.6 - Eight 4.2W LED Modules 51K - 5100K Color Temp. -3 Nichia NS3x183 Series LEDs Per Module -SW51Bin, Color Temp = 5100K Nominal -Voltage Regulated at 12 Volts by Driver -80 CRI typ. (75 CRI min) 1800 TOTAL Lumens 45.2W Input = Estimated 39.8 Lumens Per Watt
	L133.6 - (8) 4.2W LED Modules (One Side Illuminated) (Downlight Only) (1) 40 Watt Driver	L233.6 - Sixteen 4.2W LED Modules 30K - 3000K Color Temp. -3 Nichia NS3x183 Series LEDs Per Strip -SW30Bin, Color Temp = 3000K Nominal -Voltage Regulated at 12 Volts by Driver -80 CRI typ. (75 CRI min) 2752 TOTAL Lumens -80W Input = Estimated 34.4 Lumens Per Watt	L233.6 - Sixteen 4.2W LED Modules 40K - 4000K Color Temp. -3 Nichia NS3x183 Series LEDs Per Strip -SW30Bin, Color Temp = 3000K Nominal -Voltage Regulated at 12 Volts by Driver -80 CRI typ. (75 CRI min) 3016 TOTAL Lumens -80W Input = Estimated 37.7 Lumens Per Watt	L233.6 - Sixteen 4.2W LED Modules 51K - 5100K Color Temp. -3 Nichia NS3x183 Series LEDs Per Strip -SW51Bin, Color Temp = 5100K Nominal -Voltage Regulated at 12 Volts by Driver -80 CRI typ. (75 CRI min) 3600 TOTAL Lumens 80W Input = Estimated 45 Lumens Per Watt
	L233.6 - (16) 4.2W LED Modules (Eight LED Modules Per Side) (2) 40 Watt Drivers 4.2W LED Modules - (LM80 Standard) **40,000 Hours(L70)	L233.6 - Sixteen 4.2W LED Modules 30K - 3000K Color Temp. -3 Nichia NS3x183 Series LEDs Per Strip -SW30Bin, Color Temp = 3000K Nominal -Voltage Regulated at 12 Volts by Driver -80 CRI typ. (75 CRI min) 2752 TOTAL Lumens -80W Input = Estimated 34.4 Lumens Per Watt	L233.6 - Sixteen 4.2W LED Modules 40K - 4000K Color Temp. -3 Nichia NS3x183 Series LEDs Per Strip -SW30Bin, Color Temp = 3000K Nominal -Voltage Regulated at 12 Volts by Driver -80 CRI typ. (75 CRI min) 3016 TOTAL Lumens -80W Input = Estimated 37.7 Lumens Per Watt	L233.6 - Sixteen 4.2W LED Modules 51K - 5100K Color Temp. -3 Nichia NS3x183 Series LEDs Per Strip -SW51Bin, Color Temp = 5100K Nominal -Voltage Regulated at 12 Volts by Driver -80 CRI typ. (75 CRI min) 3600 TOTAL Lumens 80W Input = Estimated 45 Lumens Per Watt
	L121.0 - (5) 4.2W LED Modules (One Side Illuminated) (Downlight Only) w/ 0-10V Dimming Driver	L121.0 - Five 4.2W LED Modules 30K - 3000K Color Temp. -3 Nichia NS3x183 Series LEDs Per Module -SW30Bin, Color Temp = 3000K Nominal -Voltage Regulated at 12 Volts by Driver -80 CRI typ. (75 CRI min) 1237 TOTAL Lumens 26W Input = Estimated 48.1 Lumens Per Watt	L121.0 - Five 4.2W LED Modules 40K - 4000K Color Temp. -3 Nichia NS3x183 Series LEDs Per Module -SW30Bin, Color Temp = 3500K Nominal -Voltage Regulated at 12 Volts by Driver -80 CRI typ. (75 CRI min) 1395 TOTAL Lumens 26W Input = Estimated 53.7 Lumens Per Watt	L121.0 - Five 4.2W LED Modules 51K - 5100K Color Temp. -3 Nichia NS3x183 Series LEDs Per Module -SW30Bin, Color Temp = 3000K Nominal -Voltage Regulated at 12 Volts by Driver -80 CRI typ. (75 CRI min) 1474 TOTAL Lumens 26W Input = Estimated 56.7 Lumens Per Watt
	L229.4 - (14) 4.2W LED Modules - (Eight LED Modules Down) - (Six LED Modules Up) - (1) 66 Watt Driver w/ 0-10V Dimming Driver	L229.4 - Fourteen 4.2W LED Modules 30K - 3000K Color Temp. -3 Nichia NS3x183 Series LEDs Per Strip -SW30Bin, Color Temp = 3000K Nominal -Voltage Regulated at 12 Volts by Driver -80 CRI typ. (75 CRI min) 3130 TOTAL Lumens -66W Input = Estimated 47.4 Lumens Per Watt	L229.4 - Fourteen 4.2W LED Modules 40K - 4000K Color Temp. -3 Nichia NS3x183 Series LEDs Per Strip -SW30Bin, Color Temp = 4000K Nominal -Voltage Regulated at 12 Volts by Driver -80 CRI typ. (75 CRI min) 2639 TOTAL Lumens -66W Input = Estimated 40.0 Lumens Per Watt	L229.4 - Fourteen 4.2W LED Modules 51K - 5100K Color Temp. -3 Nichia NS3x183 Series LEDs Per Strip -SW30Bin, Color Temp = 5000K Nominal -Voltage Regulated at 12 Volts by Driver -80 CRI typ. (75 CRI min) 3150 TOTAL Lumens -66W Input = Estimated 47.7 Lumens Per Watt

PRODUCT	SOURCE/WATTAGE	30K SPECIFICATIONS	35K SPECIFICATIONS	40K SPECIFICATIONS
Cornerstone W	L218.1 - 18.1W LED Strip(s) - (Two LED Strips Per Side) - (1) 40 Watt Driver w/ 0-10V Dimming Driver	L218.1 30K - 3000K Color Temp. - 34 fV, Color Temp = 3000K Nominal - Constant Current 1100 Milliamps Driver - 43.7W Input = 3458 LED Lumens - Estimated 79.1 Lumens Per Watt	L218.1 35K - 3500K Color Temp. - 34 fV, Color Temp = 3500K Nominal - Constant Current 1100 Milliamps Driver - 43.7W Input = 3531 LED Lumens - Estimated 80.8 Lumens Per Watt	L218.1 40K - 4000K Color Temp. - 34 fV, Color Temp = 4000K Nominal - Constant Current 1100 Milliamps Driver - 43.7W Input = 3640 LED Lumens - Estimated 83.3 Lumens Per Watt



BUY AMERICA ACT