

PROJECT :
TYPE :
ORDERING # :
COMMENTS :

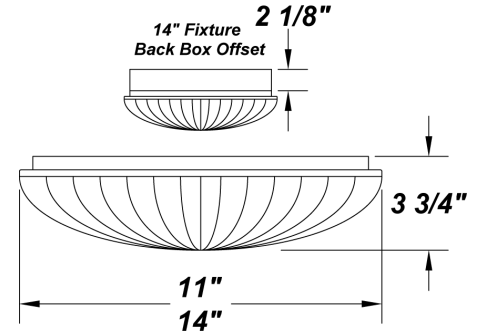
HORIZONS



COMPACT FLUORESCENT

FEATURES

- Steel Mounting Pan w/ Hi-Reflectance White Powder Coat Finish
- Frosted Ribbed Acrylic Diffuser
- Mounts Directly to 4" Junction Box (By Others)
- Mounting Hardware Included
- Lamps Included
- Integral EM Battery Available (Back Box Required) (14" Fixture Only)
- CSA Listed Damp Location For Wall or Ceiling Mount
- ADA Compliant



ORDERING INFORMATION

Example : (HS118Q - 120E - 41K)

White is Standard Finish

PRODUCT	SOURCE/WATTAGE	VOLTAGE	DIFFUSER	FINISH	OPTIONS
Horizons 11" Fixture (10" Housing)	HS113Q - (1) 13W QE HS213Q - (2) 13W QE HS118Q - (1) 18W QE HS126Q - (1) 26W QE	120E - Electronic 120V 277E - Electronic 277V 347E - Electronic 347V	Not Applicable	WH - Gloss White (Standard) SM - Matte Silver TB - Textured Black AC - Antique Copper AS - Antique Silver BT - Bronze Mist CP - Copper SN - Sand SW - Swedish Steel BZ - Textured Bronze TW - Textured White RAL Colors or Custom Match - Consult Factory	41K - 4100K Color Temp. 35K - 3500K Color Temp. 30K - 3000K Color Temp. (Standard in T5 Circ) 27K - 2700K Color Temp. (Standard) (Not Available in T5 Circ) F - Fused (Not Available For 347V) PCL120 - Photocell 120V PCL277 - Photocell 277V TP - Tamper Resistant Screws DIM - Dimming Ballast * (QE Electronic Only) EBR - Remote Mount Battery (Field Installed)* EBW/BB - Integral Emergency Battery** (14" Fixture only) (Back Box Required) BB - Back Box for 14" Fixture W2L - Wire 2 Lamps to Integral Emergency Battery (2x18W Max) ALP - Aluminum Mount Pan MSP - Program Start Ballast (Recommended for Motion Sensor) ***
Horizons 14" Fixture (12" Housing)	HS218Q - (2) 18W QE HS226Q - (2) 26W QE HS122CE - (1) 22W T5 Circ	120E - Electronic 120V 277E - Electronic 277V 347E - Electronic 347V			

REPLACEMENT PARTS

	PART NO.
11" Frosted Ribbed Acrylic Diffuser	3010262
14" Frosted Ribbed Acrylic Diffuser	3010362

We reserve the right to revise the design or components of any product due to parts availability or change in UL standards, without assuming any obligation or liability to modify any products previously manufactured, and without notice.

NOTES

***Fluorescent Only**
****Emergency Battery Options**
 Initial light output in Emergency mode will last for a minimum of 90 minutes. 1 lamp wired unless ordered otherwise. The following are suitable for indoor and damp locations. Please refer to Bodine's specification sheet
EBW:
 Bodine's B94G (Electronic) - Temperature Rating (Ambient) 32° F - 131° F
EBR:
 Bodine's B94CG (Electronic) - Temperature Rating (Ambient) 32° F - 122° F

*** For Electronic Wattage Fixtures Being Used in Conjunction With an Occupancy Sensor (Either Provided by us, or Your Own System), a Program Start Ballast is Recommended in Order to Maximize Lamp Life.

