

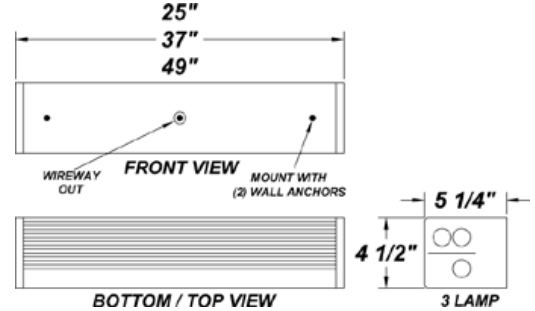
**BAYSIDE FLUORESCENT**



PROJECT :
TYPE :
ORDERING # :
COMMENTS :

**FEATURES**

- Steel Housing w/ White Powder Coat Finish
- Steel Mounting Pan w/ Hi-Reflectance White Powder Coat Finish
- Steel End Caps w/ White Powder Coat Finish
- Clear Ribbed Acrylic Lens
- Up / Down Lighting Option
- Mounts Directly to Wall or Ceiling with Surface w/ Two Wall Anchors (Not Included)
- Integral EM Battery Available (3' & 4' Fixtures Only)
- Lamps Not Included
- Convenience Outlet Available
- Pull Chain Available
- CSA Listed Damp Location



**ORDERING INFORMATION**

Example : (BYD48332E - 120E - SM)

White is Standard Finish

PRODUCT	SOURCE/WATTAGE	VOLTAGE	DIFFUSER	FINISH	OPTIONS
BYD24 (24" Fixture)	BYD24217E - (2) 17W T8 BYD24317E - (3) 17W T8 BYD24417E* - (4) 17W T8 BYD24214E - (2) 14W T5 BYD24314E - (3) 14W T5 BYD24414E* - (4) 14W T5 BYD24224E - HO - (2) 24W T5 BYD24324E - HO* - (3) 24W T5	120E - 120V Electronic 277E - 277V Electronic 347E - 347V Electronic (Not available for T5HO)	Not Applicable	WH - Gloss White (Standard) TB - Textured Black AC - Antique Copper AS - Antique Silver BT - Bronze Mist CP - Copper KC - Kenworth Chrome SN - Sand SW - Swedish Steel BZ - Textured Bronze TW - Textured White  RAL Colors or Custom Match - Consult Factory  CH - Chrome Plated	CO - Convenience Outlet (120V Only) F - Fused (120-277V Only) MSW - Multi-Lamp Switch w/ Pull Chain for Multi-Directional Light (120V Only) (MS2B Required) 2SW - Power Switch w/ Pull Chain (For On / Off Lighting) (120V Only) MS2B - Two ballasts for Up and/or Down light operation (intended for DL and MSW Options) EB - Integral Emergency Battery** (3' and 4' Only) (120-277V Only) EBR - Remote Mount Battery** (Field-Installed) (3' and 4' Only) (120-277V Only) W2L - Wire 2 Lamps to Integral Emergency Battery (T8 Lamping Only) DL - Internal Divider For Multi-Directional Up / Down Light MSP - Program Start Ballast BFL - Front Baffle For Up and Down Lighting NLT - 9W PL Magnetic Night Light (Not Available for 4-Lamp Fixtures) (120V Only)
BYD36 (36" Fixture)	BYD36225E - (2) 25W T8 BYD36325E - (3) 25W T8 BYD36425E* - (4) 25W T8 BYD36221E - (2) 21W T5 BYD36321E - (3) 21W T5 BYD36421E* - (4) 21W T5 BYD36239E - HO - (2) 39W T5 BYD36339E - HO* - (3) 39W T5	120E - 120V Electronic 277E - 277V Electronic 347E - 347V Electronic (Not available for T5HO)			

**REPLACEMENT PARTS**

**PART NO.**

24" Clear Acrylic Diffuser	30047
36" Clear Acrylic Diffuser	30048
48" Clear Acrylic Diffuser	30049

We reserve the right to revise the design or components of any product due to parts availability or change in UL standards, without assuming any obligation or liability to modify any products previously manufactured, and without notice.

ARRA 2009



**NOTES**

\*4 Lamp T8 or T5, or 3 Lamp T5HO Available for Wall Mount Only

\*\*Emergency Battery Options (120 - 277V Only)

(Not Available for 4 lamp Configurations)

Initial light output in Emergency mode will last for a minimum of 90 minutes. 1 lamp wired unless ordered otherwise. The following are suitable for indoor and damp locations. Please refer to Bodine's specification sheet

EB1: Bodine's B90 (Electronic) - Temperature Rating (Ambient) 32° F - 122° F (Runs 1 T8 Lamp)

EB2: Bodine's B50 (Electronic) - Temperature Rating (Ambient) 32° F - 122° F (Runs 2 T8, 1 T5 or 1 T5HO Lamp) (T5HO for Wall Mount Only)

EBR: Bodine's B30 (T8 Electronic) - Temperature Rating (Ambient) 32° F - 122° F (Remote Mount for T8 or T5 Lamping / Runs 2 T8, 1 T5 or 1 T5HO Lamp)

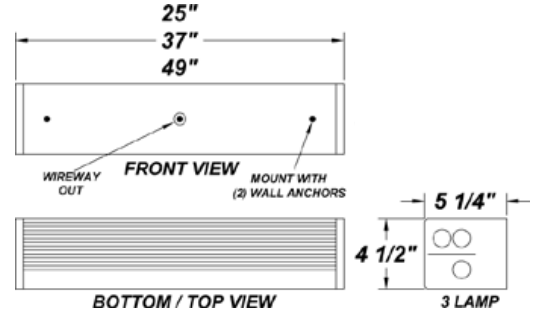
**BAYSIDE FLUORESCENT**



PROJECT :
TYPE :
ORDERING # :
COMMENTS :

**FEATURES**

- Steel Housing w/ White Powder Coat Finish
- Steel Mounting Pan w/ Hi-Reflectance White Powder Coat Finish
- Steel End Caps w/ White Powder Coat Finish
- Clear Ribbed Acrylic Lens
- Up / Down Lighting Option
- Mounts Directly to Wall or Ceiling w/ Two Wall Anchors (Not Included)
- Integral EM Battery Available (3' & 4' Fixtures Only)
- Lamps Not Included
- Convenience Outlet Available
- Pull Chain Available
- CSA Listed Damp Location



**ORDERING INFORMATION**

Example : (BYD48332E - 120E - SM)

White is Standard Finish

PRODUCT	SOURCE/WATTAGE	VOLTAGE	DIFFUSER	FINISH	OPTIONS
BYD48 (48" Fixture)	BYD48232E - (2) 32W T8 BYD48332E - (3) 32W T8 BYD48432E* - (4) 32W T8 BYD48228E - (2) 28W T5 BYD48328E - (3) 28W T5 BYD48428E* - (4) 28W T5 BYD48254E - HO - (2) 54W T5 BYD48354E - HO* - (3) 54W T5	120E - 120V Electronic 277E - 277V Electronic 347E - 347V Electronic (Not available for T5HO)	Not Applicable	WH - Gloss White (Standard) TB - Textured Black AC - Antique Copper AS - Antique Silver BT - Bronze Mist CP - Copper KC - Kenworth Chrome SN - Sand SW - Swedish Steel BZ - Textured Bronze TW - Textured White  RAL Colors or Custom Match - Consult Factory  CH - Chrome Plated	CO - Convenience Outlet (120V Only) F - Fused (120-277V Only) MSW - Multi-Lamp Switch w/ Pull Chain for Multi-Directional Light (120V Only) (MS2B Required) 2SW - Power Switch w/ Pull Chain (For On / Off Lighting) (120V Only) MS2B - Two ballasts for Up and/or Down light operation (intended for DL and MSW Options) EB - Integral Emergency Battery** (3' and 4' Only) (120-277V Only) EBR - Remote Mount Battery** (Field-Installed) (3' and 4' Only) (120-277V Only) W2L - Wire 2 Lamps to Integral Emergency Battery (T8 Lamping Only) DL - Internal Divider For Multi-Directional Up / Down Light MSP - Program Start Ballast BFL - Front Baffle For Up and Down Lighting NLT - 9W PL Magnetic Night Light (Not Available for 4-Lamp Fixtures) (120V Only)

REPLACEMENT PARTS	PART NO.
24" Clear Acrylic Diffuser	30047
36" Clear Acrylic Diffuser	30048
48" Clear Acrylic Diffuser	30049

We reserve the right to revise the design or components of any product due to parts availability or change in UL standards, without assuming any obligation or liability to modify any products previously manufactured, and without notice.

ARRA 2009



BUY AMERICA ACT C US

**NOTES**

\*4 Lamp T8 or T5, or 3 Lamp T5HO Available for Wall Mount Only

\*\*Emergency Battery Options (120 - 277V Only)

(Not Available for 4 lamp Configurations)

Initial light output in Emergency mode will last for a minimum of 90 minutes. 1 lamp wired unless ordered otherwise. The following are suitable for indoor and damp locations. Please refer to Bodine's specification sheet

EB1: Bodine's B90 (Electronic) - Temperature Rating (Ambient) 32° F - 122° F (Runs 1 T8 Lamp)

EB2: Bodine's B50 (Electronic) - Temperature Rating (Ambient) 32° F - 122° F (Runs 2 T8, 1 T5 or 1 T5HO Lamp) (T5HO for Wall Mount Only)

EBR: Bodine's B30 (T8 Electronic) - Temperature Rating (Ambient) 32° F - 122° F (Remote Mount for T8 or T5 Lamping / Runs 2 T8, 1 T5 or 1 T5HO Lamp)