

PROJECT :
TYPE :
ORDERING # :
COMMENTS :

GINTY LED

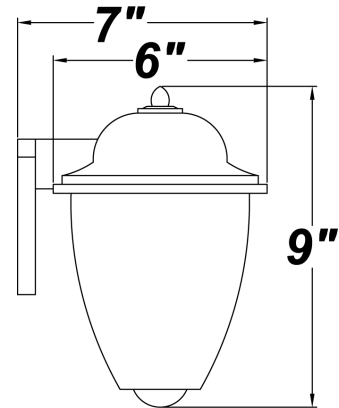


White and Black
Finishes Shown

COMPACT FLUORESCENT

FEATURES

- Black or White Polycarbonate Housing
- Frosted White Polycarbonate Lens
- Ambient Operating Temperature -40° C (-40° F) to 40° C (105° F)
- Constant Current at 700 Milliamps
- UL Class 2 Driver - Power Factor >.90
- Estimated 50,000 Hours Life (L70)
- Thermal Protected LED Array
- Mounts Directly to 4" Junction Box (By Others)
- Mounting Hardware Included
- Lamp Included
- Wet Location



ORDERING INFORMATION

Example : (GY - L10.0 - 120 - 277V - WH - 40K)

PRODUCT	SOURCE/WATTAGE	VOLTAGE	DIFFUSER	FINISH	OPTIONS
Ginty	L10.0 - (4) LED Array 50,000 Hours(L70) Please See "Options" Column For Specifications	120 - 277V (50 / 60Hz) Please See "Options" Column For Driver Specifications	Not Applicable	BK - Black WH - White	10W LED ARRAY 40K - 4000K Color Temp. - 74 CRI Typ. - Constant Current at 700 Milliamps By Driver - 11.3W Input = 912 Lumens - Estimated 80 Lumens Per Watt

REPLACEMENT PARTS **PART NO.**

White Polycarbonate Lens	3413560
White Polycarbonate Housing	6022702
Black Polycarbonate Housing	6022701

NOTES

We reserve the right to revise the design or components of any product due to parts availability or change in UL standards, without assuming any obligation or liability to modify any products previously manufactured, and without notice.

ARRA 2009



BUY AMERICA ACT