

FAZIO

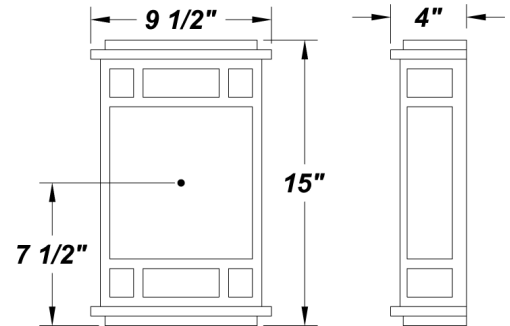


COMPACT FLUORESCENT

PROJECT :
TYPE :
ORDERING # :
COMMENTS :

FEATURES

- Steel Housing w/ Textured Black Polyester Powder Coat Finish
- Steel Mounting Pan w/ Hi-Reflectance White Powder Coat Finish
- Solid Top & Bottom End Plates
- Luminous White Acrylic Panels
- Mounts Directly to 4" Junction Box (By Others)
- Mounting Hardware Included
- Lamps Included
- ADA Compliant
- ETL Listed Wet Location



Note: For an Integral Emergency Battery
Please See The Fazio W

ORDERING INFORMATION

Example : (FZ218Q - 120E - WAL - 41K)

Textured Black is Standard Finish

PRODUCT	SOURCE/WATTAGE	VOLTAGE	DIFFUSER	FINISH	OPTIONS
Fazio	FZ213Q - (2) 13W QE FZ218Q - (2) 18W QE FZ226Q - (2) 26W QE	120E - Electronic 277E - Electronic	WAL - White Acrylic	SM - Matte Silver TB - Textured Black AC - Antique Copper AS - Antique Silver BT - Bronze Mist CP - Copper SN - Sand SW - Swedish Steel BZ - Textured Bronze TW - Textured White RAL Colors or Custom Match - Consult Factory	41K - 4100K Color Temp. 35K - 3500K Color Temp. 30K - 3000K Color Temp. 27K - 2700K Color Temp. (Standard) F - Fused TP - Tamper Resistant Screws DIM - Dimming Ballast (Electronic Only) EBR - Remote Mount Battery (Field Installed)* PCL - Photocell MSP - Program Start Ballast (Recommended for Motion Sensor)***

REPLACEMENT PARTS

PART NO.

White Acrylic Lens Panel Set	9800660
------------------------------	---------

We reserve the right to revise the design or components of any product due to parts availability or change in UL standards, without assuming any obligation or liability to modify any products previously manufactured, and without notice.

NOTES

***Emergency Battery Options**

Initial light output in Emergency mode will last for a minimum of 90 minutes. 1 lamp wired unless ordered otherwise. The following are suitable for indoor and damp locations. Please refer to Bodine's specification sheet

EBR:

Bodine's B94CG (Electronic) - Temperature Rating (Ambient) 32° F - 122° F

ARRA 2009



*** For Electronic Wattage Fixtures Being Used in Conjunction With an Occupancy Sensor (Either Provided by us, or Your Own System), a Program Start Ballast is Recommended in Order to Maximize Lamp Life.